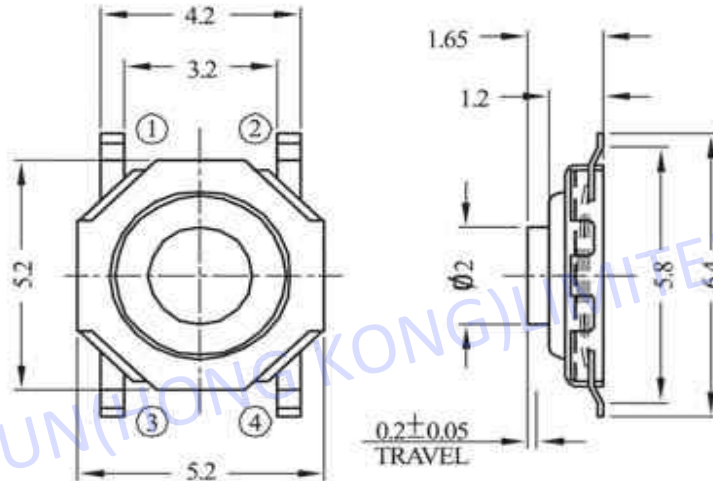
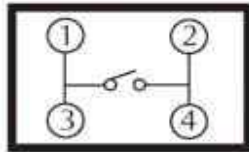


# TD-13MA (METAL STEM)

CIRCUIT DIAGRAM



**RATING: DC 12V 50mA**

轻触开关主要技术特性

The Main Technical Characteristic Tact Switch

额定负荷	DC 12V 50mA	操作温度	-16°C to 60°C
<b>Rated Load</b>		<b>Operating Temperature</b>	
接触电阻	< 100 mΩ	寿命	100,000 次
<b>contact Resistance</b>		<b>Life Test</b>	
绝缘电阻	> 100 MΩ	作用力	X 160gf ± 30gf Z 250gf ± 50gf
<b>Insulation Resistance</b>		<b>Operating Force</b>	
耐电压	250V 0.5mA/min		