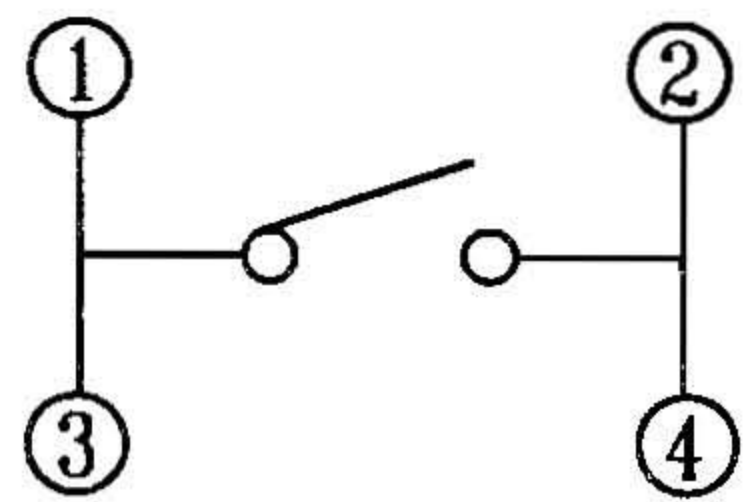
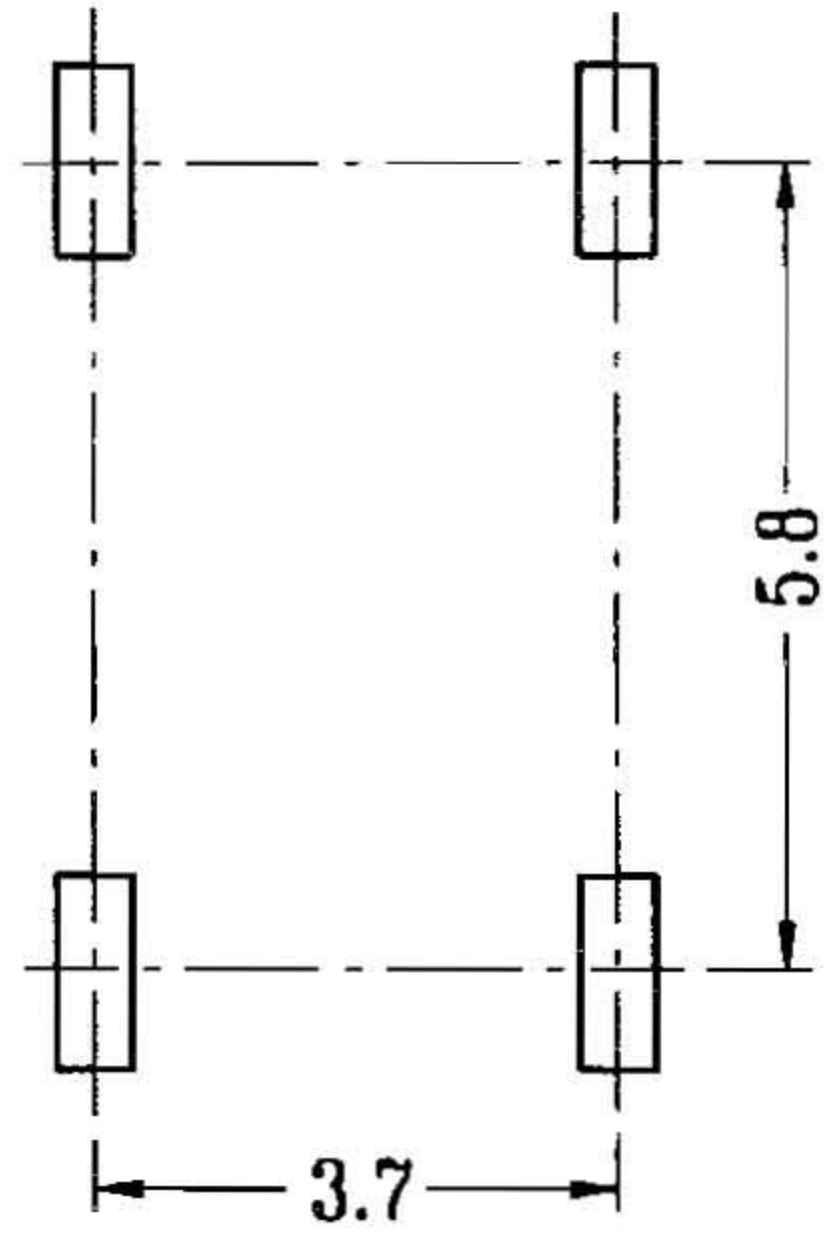


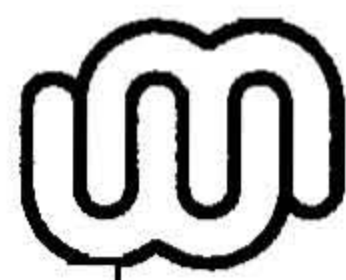
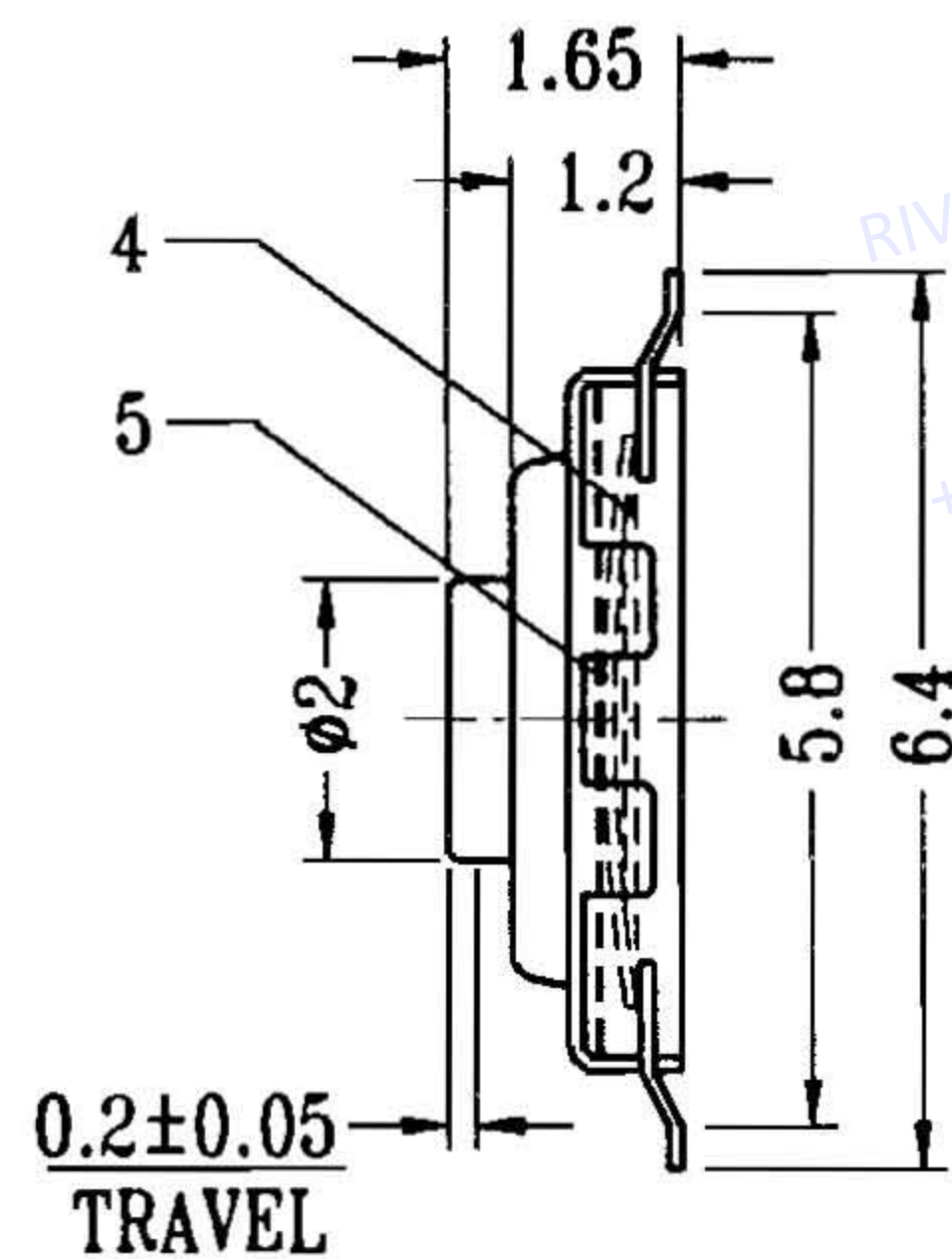
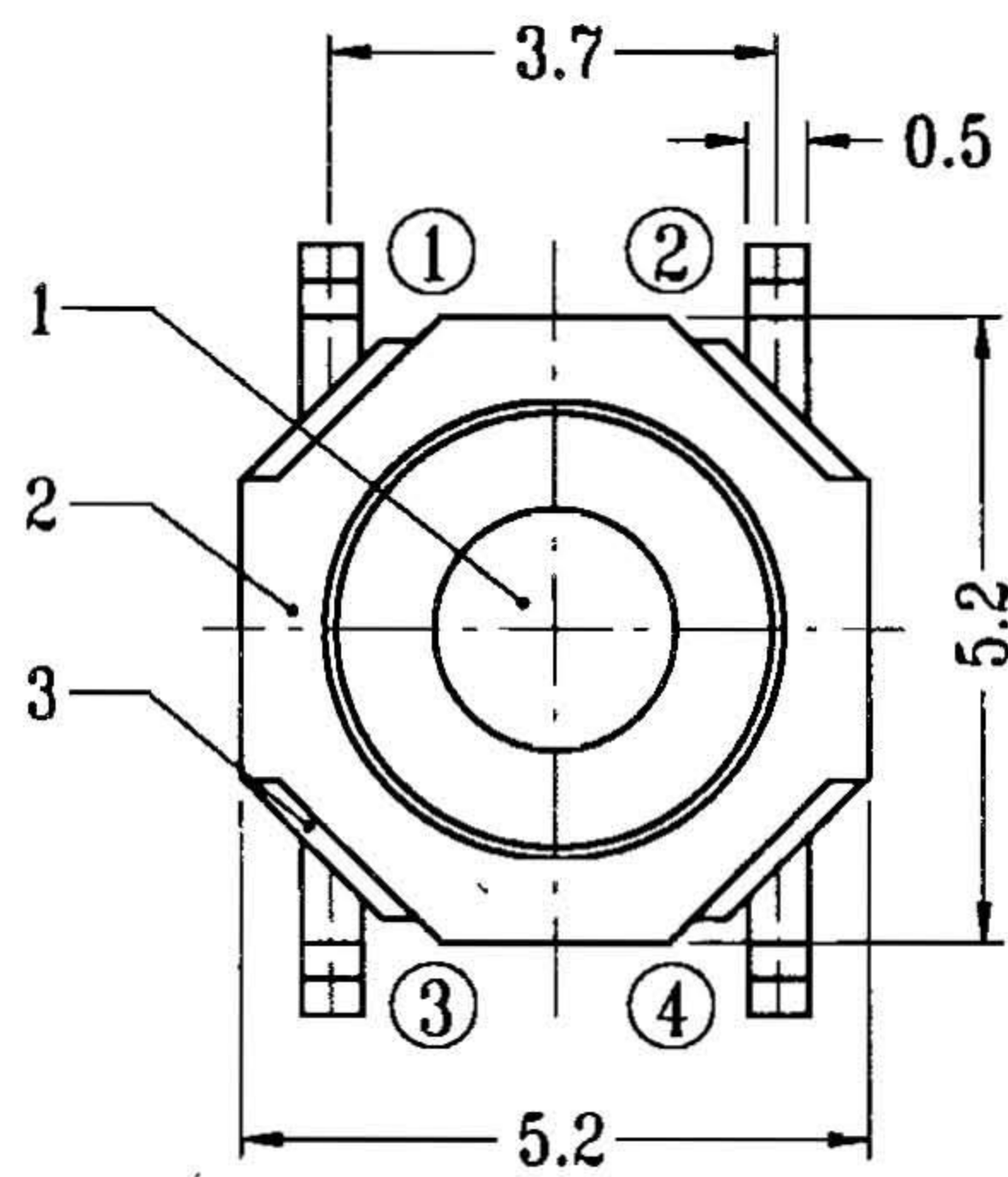
CAD FILE:



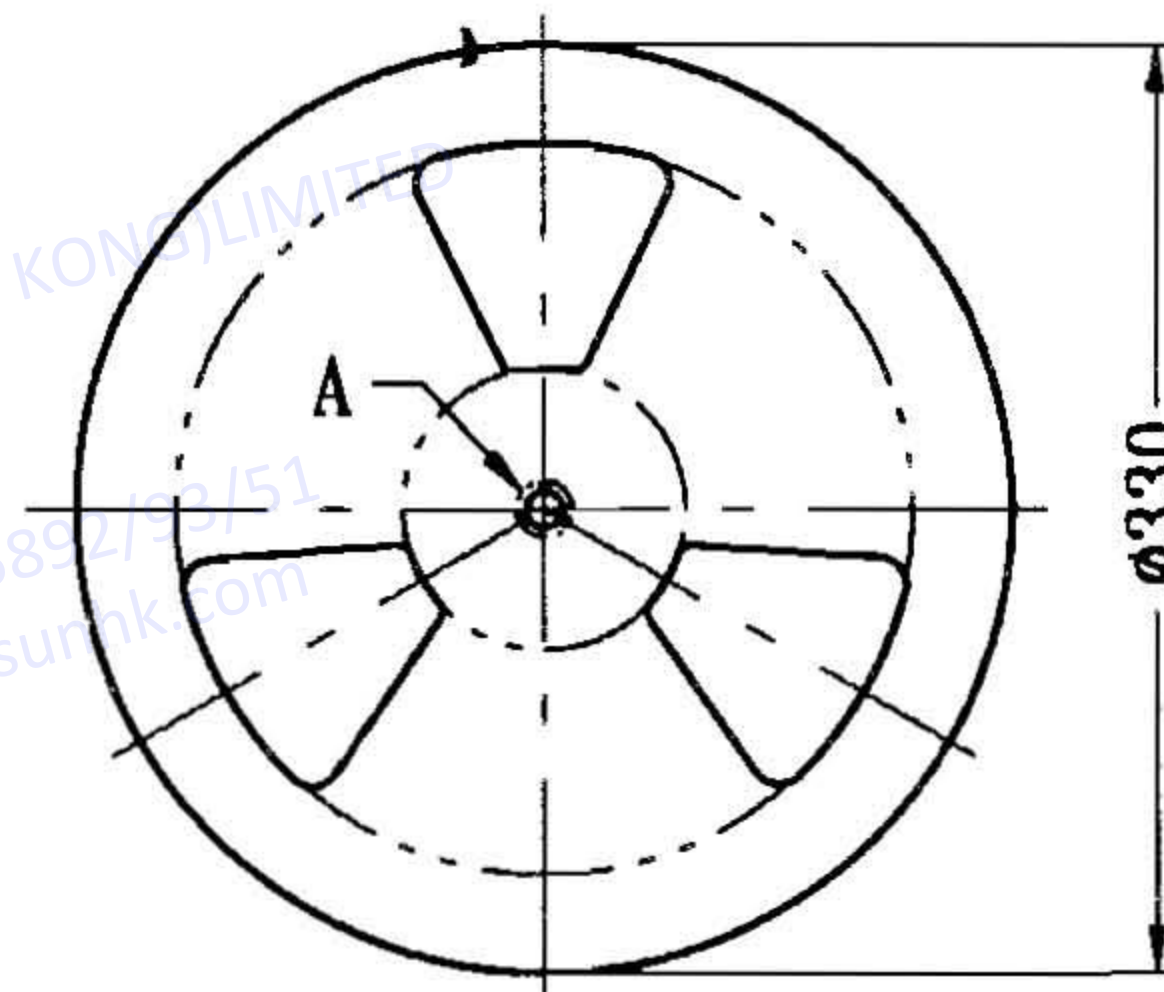
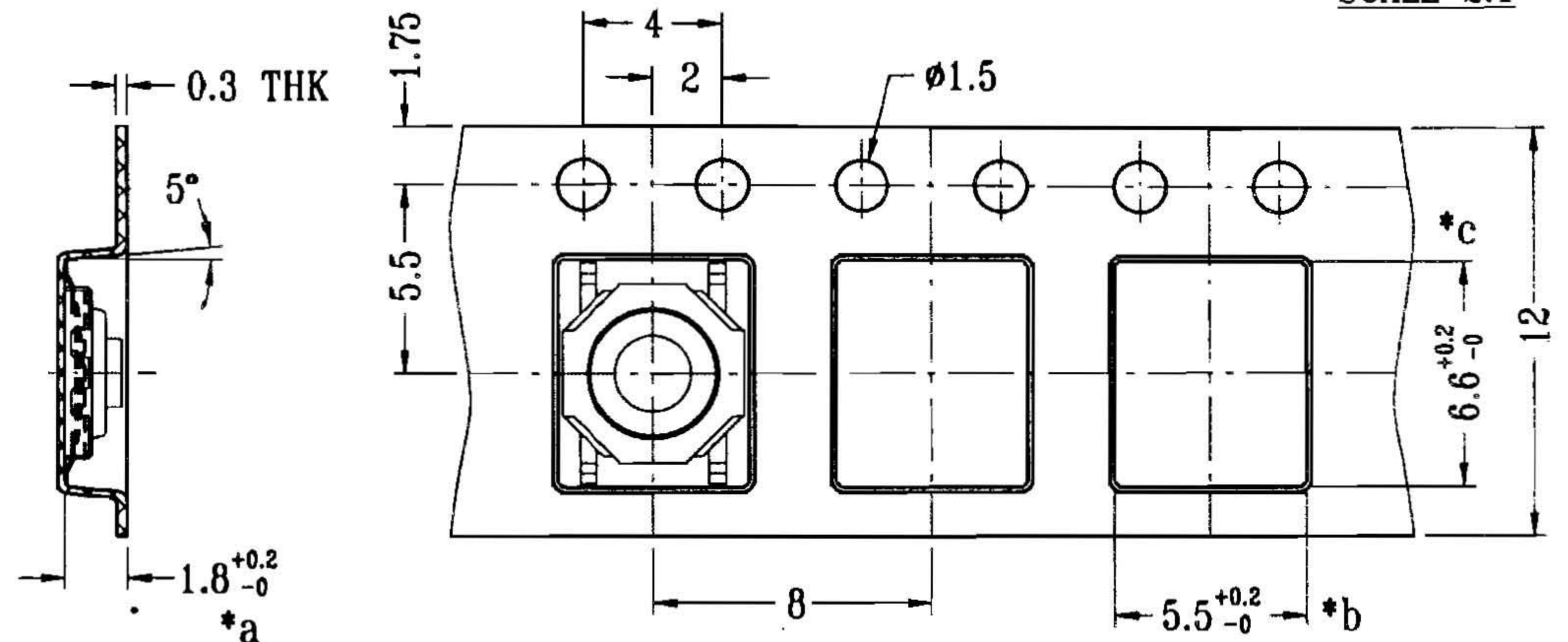
SCHEMATIC



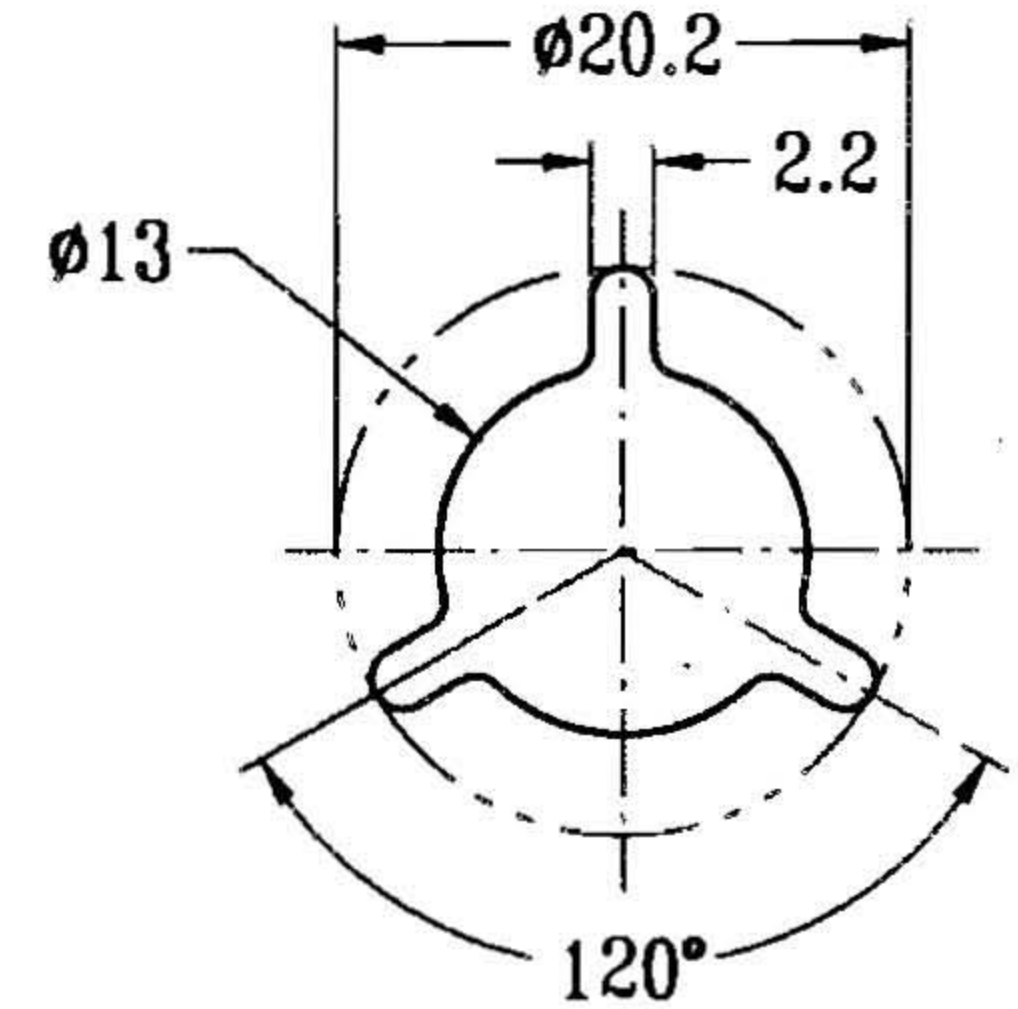
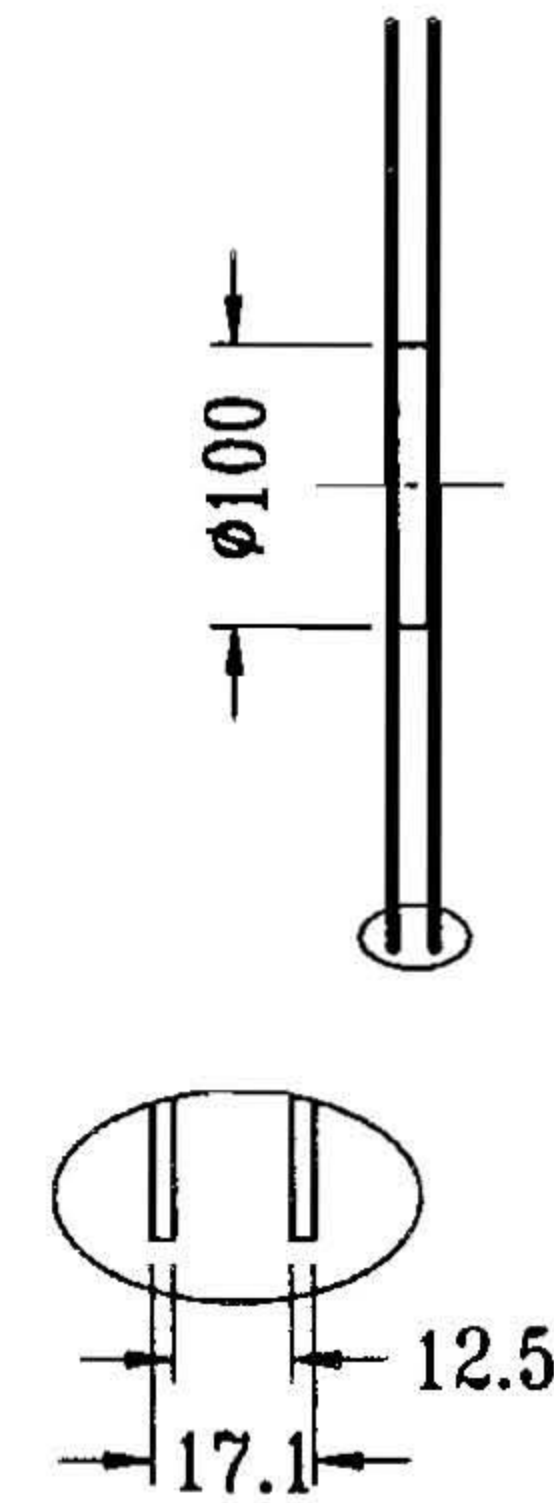
P.C.B LAYOUT
TOP VIEW



SCALE 2:1



VIEW A
SCALE 2:21



VIEW A
SCALE 2:3

注：“*”表示关键尺寸（3个）

NO.	PARTS	MATERIALS	Q'TY	FINISH	TOLERANCE UNLESS SPECIFIED			修正图纸及关键尺寸		
8					WITHIN 1.5mm : ±0.1mm	B	19-May-2006	修正图纸及关键尺寸		
7					OVER 1.5mm : ±0.2mm	ISSUE	DATE	DESCRIPTIONS OF REVISION		
6	TD13XA TAPY & REEL	PS	1	CLEAR	TITLE : TACT SWITCH MODEL: TD-13MA(TR)			UNIT : mm	DRWG NO.: TT-DR-TD13MA(TR)-00	
5	SEAL PLATE	PET	1	YELLOW				SCALE: 6:1	DWN. 陈丽冰	19-May-2006
4	CONTACT	SUS	1	Ag CLAD				CHK'D		
3	CASE	NYLON+F.G+94V0 (FR52)	1	BLACK/Ag PLATED OVER Ni PLATED				APPD.		
2	COVER	SUS	1	NATURAL						
1	KNOB	BRASS	1	NATURAL						