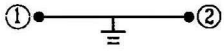
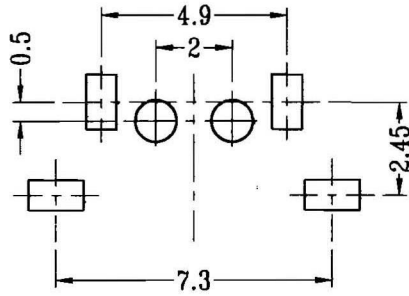
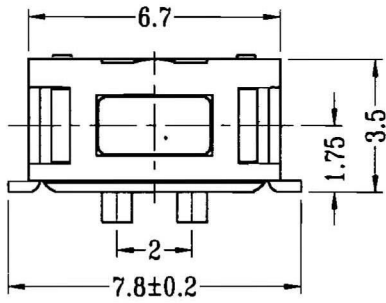


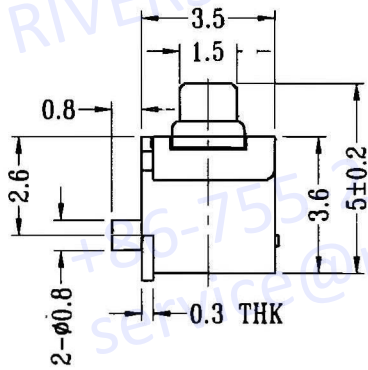
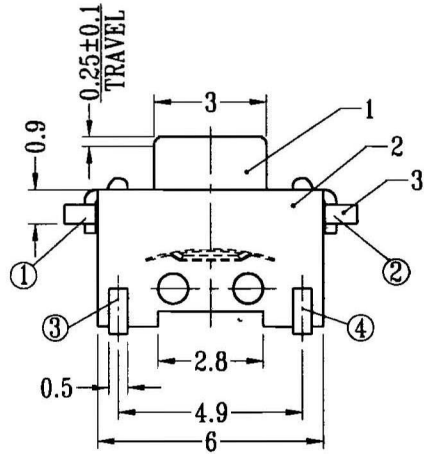
CAD FILE:



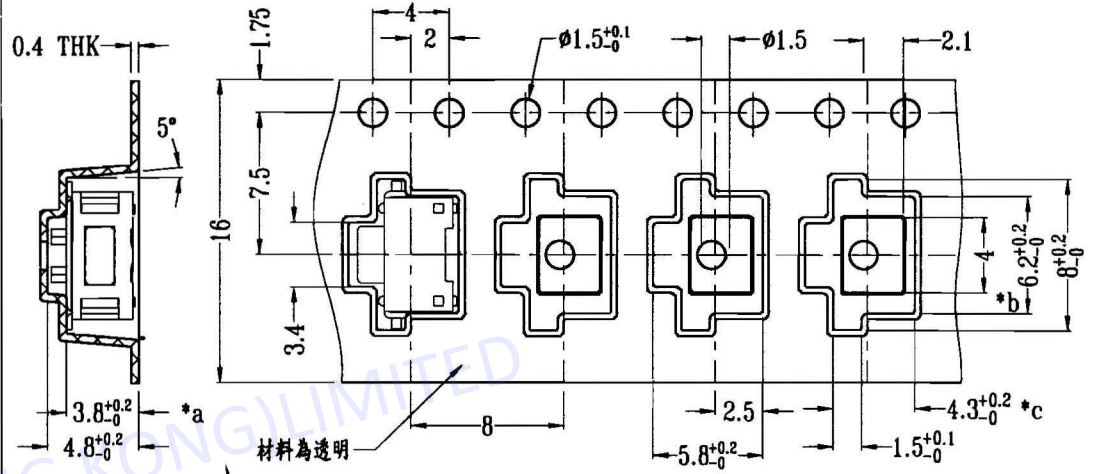
SCHEMATIC



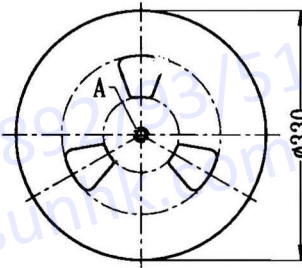
P.C.B LAYOUT



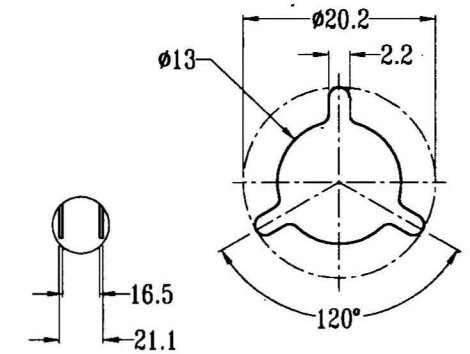
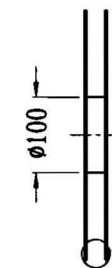
B公司



材料為透明



SCALE 1:10



A VIEW
SCALE 5:4

注：“*”表示關鍵尺寸(3個)

NO.	PARTS	MATERIAL	Q'TY	FINISH	TOLERANCE UNLESS SPECIFIED	ISSUE	DATE	DESCRIPTIONS OF REVISION	APPD.
8					WITHIN 1.5mm: ±0.1mm				
7					OVER 1.5mm: ±0.2mm				
6									
5									
4	CONTACT	SUS	1	Ag CLAD					
3	COVER	STEEL STRIP	1	Ag PLATED OVER Ni PLATED					
2	CASE	NYLON+F.G./BRASS STRIP	1	BLACK/Ag PLATED OVER Ni PLATED					
1	KNOB	NYLON	1	IVORY					
					TITLE : TACT SWITCH	UNIT : mm		DRWG NO.:	
					MODEL: TD-30EA/XA (TR)	SCALE: 5:1		DWN.	
								CHK'D	
								APPD.	