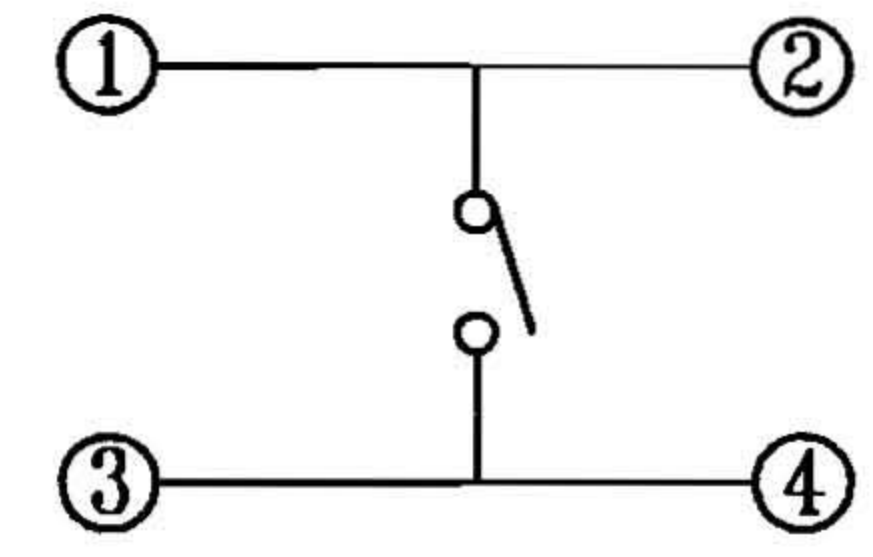
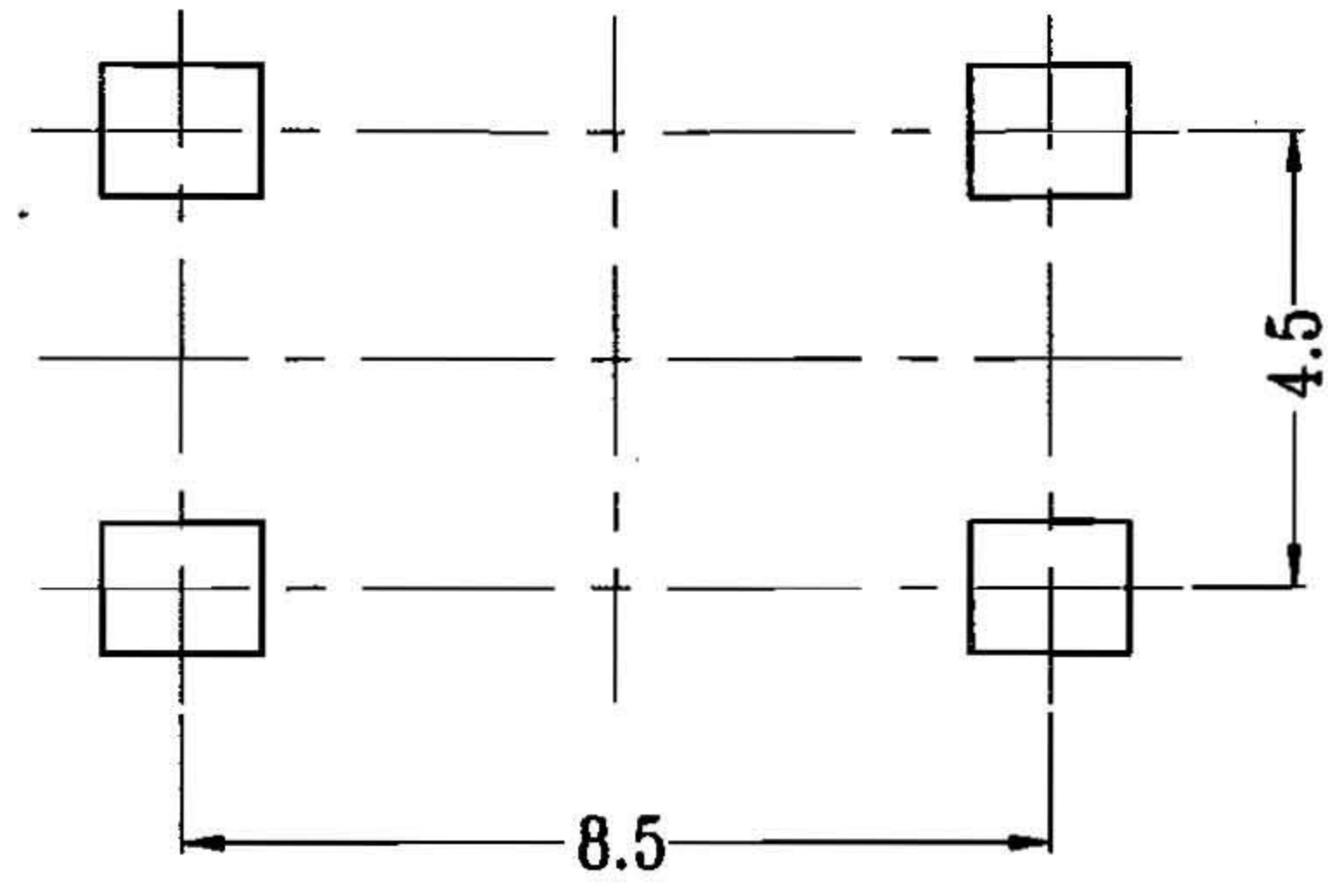
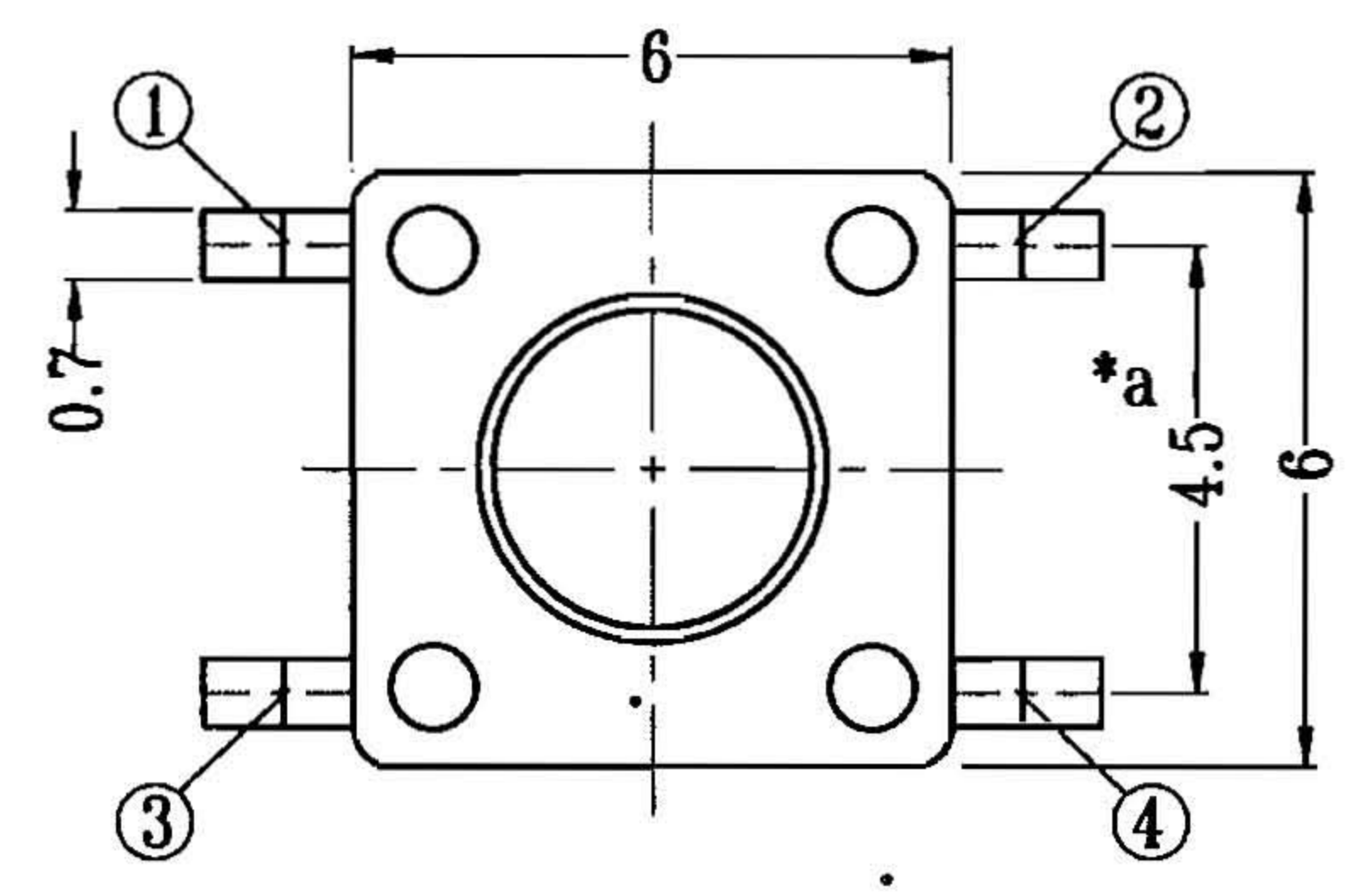


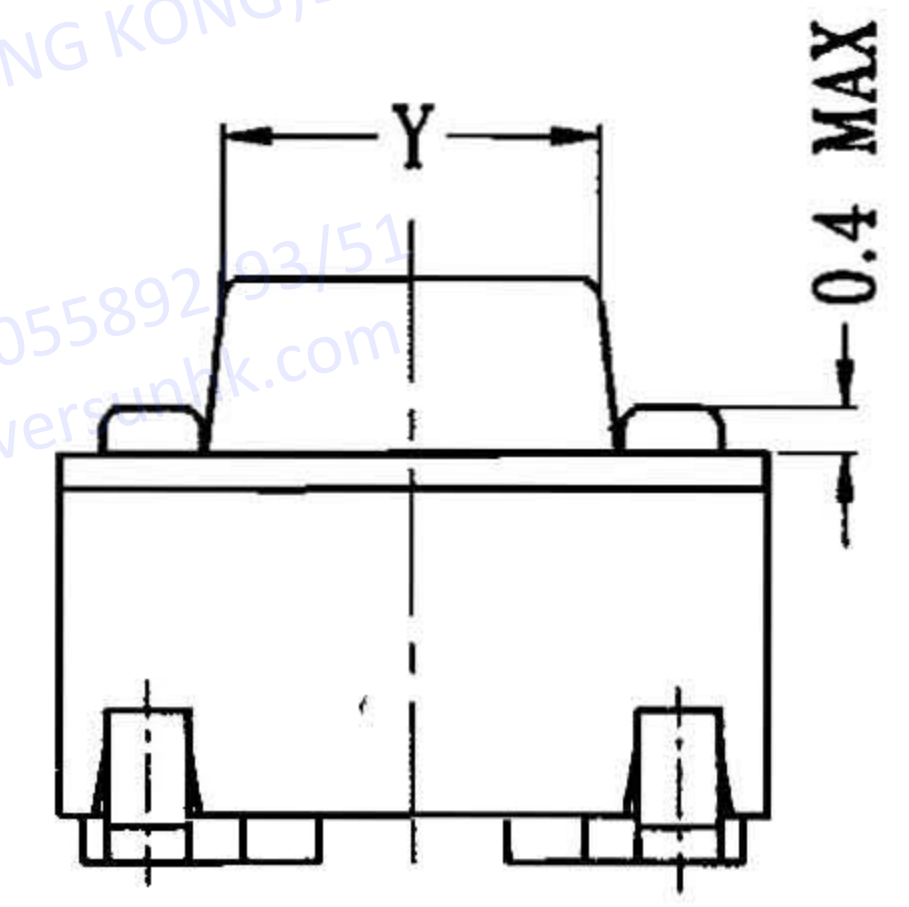
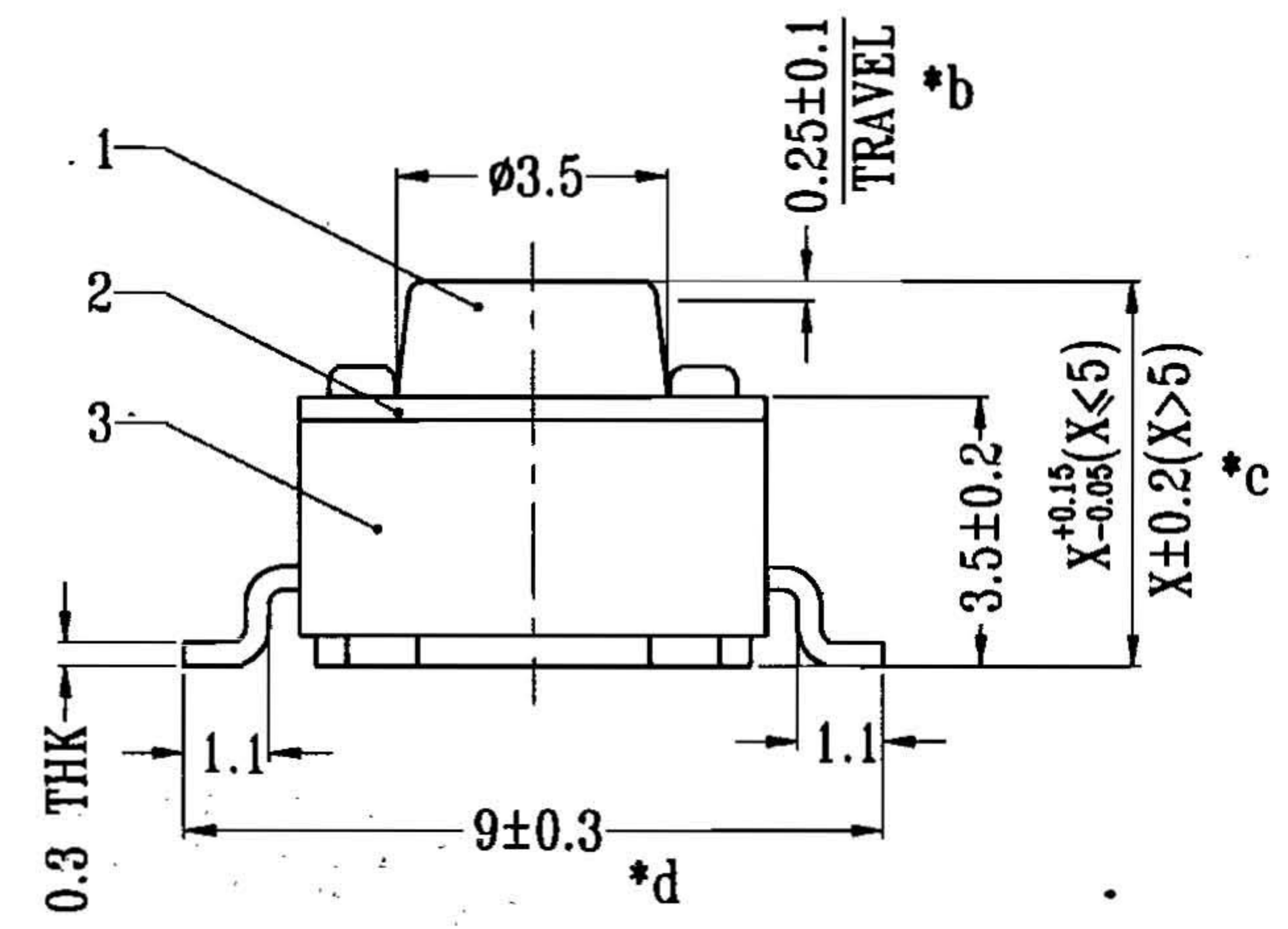
CAD FILE:



SCHEMATIC



P.C.B LAYOUT
TOP VIEW



注：“*”表示关键尺寸(4个)

△C ₁	TD-33XN	TD06XN	17.0	∅2.7
△C ₂	TD-33XM	TD06XM	13.5	∅3.2
△C ₃	TD-33XT	TD06XT	14.0	∅3.1
△C ₄	TD-33XQ	TD06XQ	11.0	∅3.2
	TD-33XH	TD06XH	13.0	∅3.3
	TD-33XF	TD06XF	12.5	∅3.0
△C ₅	TD-33XP	TD06XP	10.5	∅3.2
	TD-33XE	TD06XE	9.5	∅3.3
△C ₆	TD-33XL	TD06XL	9.0	∅3.1
△C ₇	TD-33XK	TD06XK	8.5	∅3.1
	TD-33XD	TD06XD	8.0	∅3.3
	TD-33XC	TD06XC	7.3	∅3.3
	TD-33XB	TD06XB	7.0	∅3.3
△C ₈	TD-33XR	TD06XR	6.0	∅3.4
	TD-33XA	TD06XA	5.0	∅3.4
	TD-33XG	TD06XG	4.3	∅3.5
△C ₉	TD-33XS	TD06XS	4.2	∅3.5
	MODEL NO.	KNOB TYPE	X	Y

8					TOLERANCE			增加明细表: △C ₁ , △C ₂ , △C ₃ , △C ₄ , △C ₅ , △C ₆ ,	
7					UNLESS SPECIFIED			△C ₇ , △C ₈ , △C ₉ ;	
6					WITHIN 1.5mm : ±0.1mm	C	20-Sep-2010	更改前产品型号 MODEL: TD-33XG(A. B. C. D. E. F. H).	
5					OVER 1.5mm : ±0.2mm	ISSUE	DATE	DESCRIPTIONS OF REVISION	
4	CONTACT	PBS C5210R-EH	1	Ag CLAD	TITLE : TACT SWITCH			UNIT : mm.	DRWG NO.: TT-DR-TD33XA-00
3	CASE	FR52/BRASS STRIP	1	BLACK/Ag PLATED OVER Ni PLATED	MODEL: TD-33XA~XS			SCALE: 5 : 1	DWN.
2	COVER	STEEL STRIP	1	Ni PLATED				CHK'D	20-Sep-2010
1	KNOB	FR52	1	BLACK				APPD.	
NO.	PARTS	MATERIALS	Q'TY	FINISH					