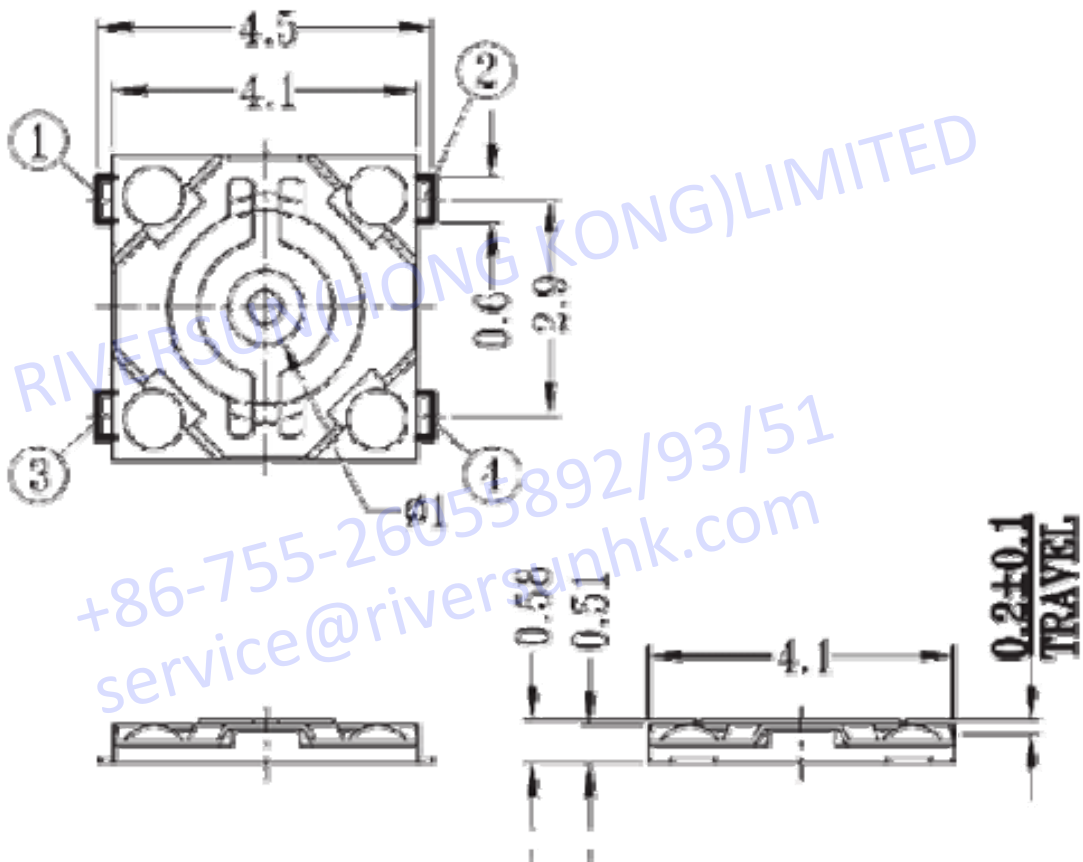
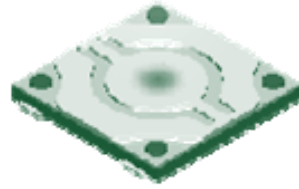
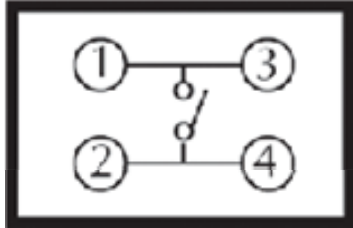


TD-608XA

CIRCUIT DIAGRAM



RATING: DC 12V 50mA