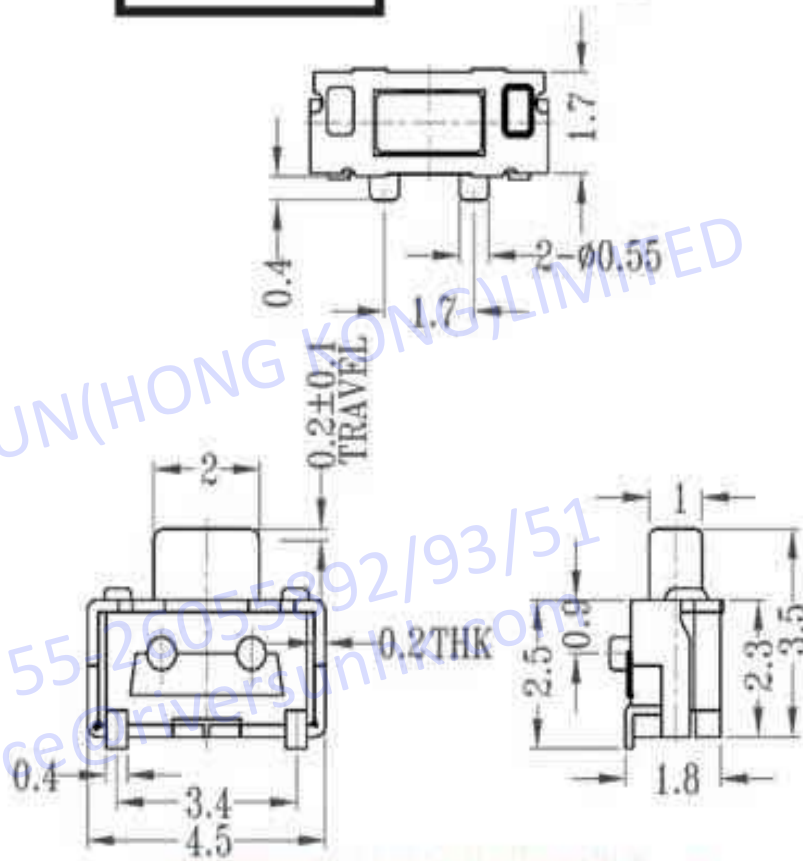
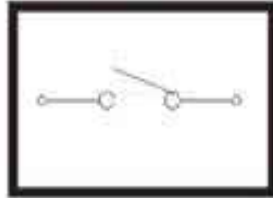


TD-610EA

CIRCUIT DIAGRAM



RATING: DC 12V 50mA

RIVERSUN(HONG KONG)LIMITED
+86-755-26055292/93/51
service@riversunhk.com