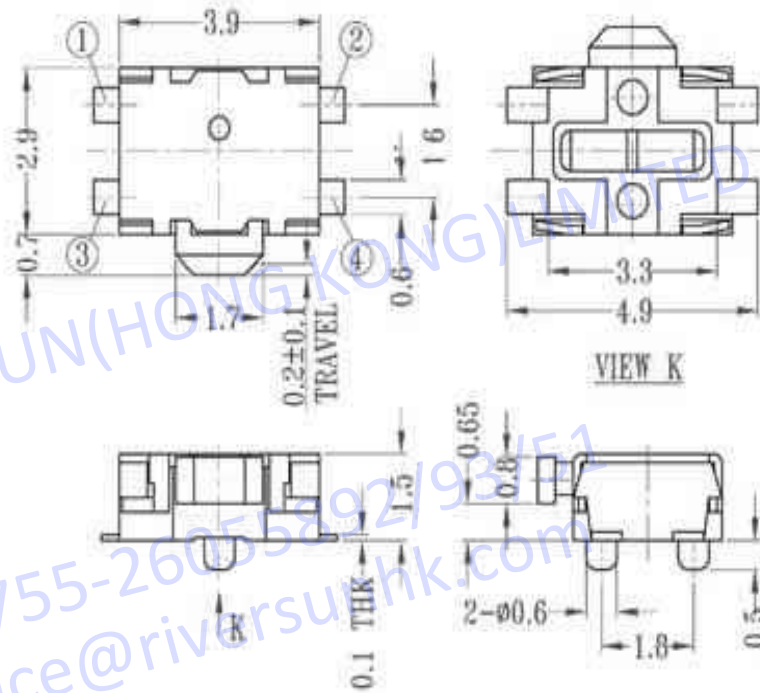
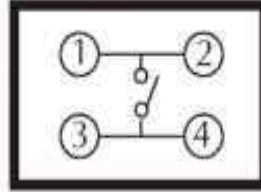


# TD-66 EA

## CIRCUIT DIAGRAM



**RATING: DC 12V 50mA**