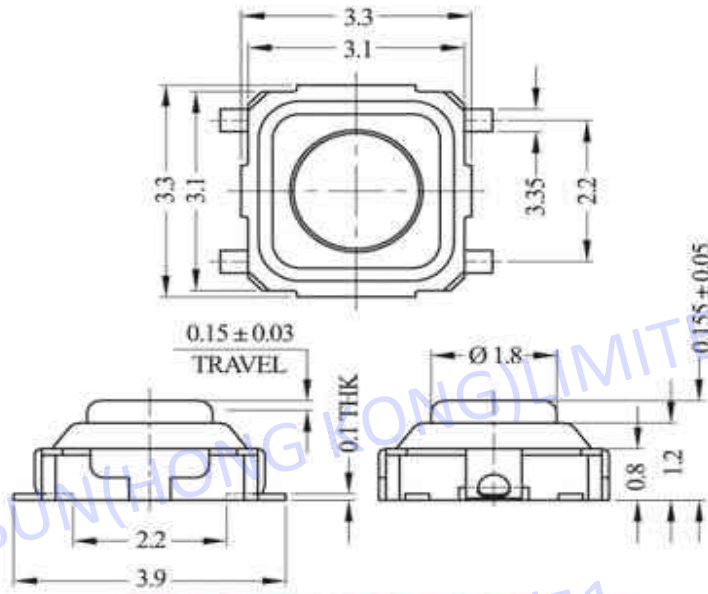
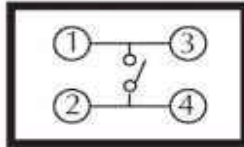


# TD-73XA

CIRCUIT DIAGRAM



**RATING: DC 12V 50mA**

## 轻触开关主要技术特性

### The Main Technical Characteristic Tact Switch

额定负荷	DC 12V 50mA	操作温度	-16°C to 60°C
Rated Load		Operating Temperature	
接触电阻	< 500 mΩ	寿命	50,000 次
contact Resistance		Life Test	
绝缘电阻	> 100 MΩ	作用力	X 160gf ± 50gf Z 250gf
Insulation Resistance		Operating Force	± 100gf
耐电压	250V 0.5mA/min		