



Feature -

- compact size
- two LEDs inside
- SMT reflow soldering

Applications -

- consumer products
- computer products
- instrumentation
- communication equipments
- hand-held devices

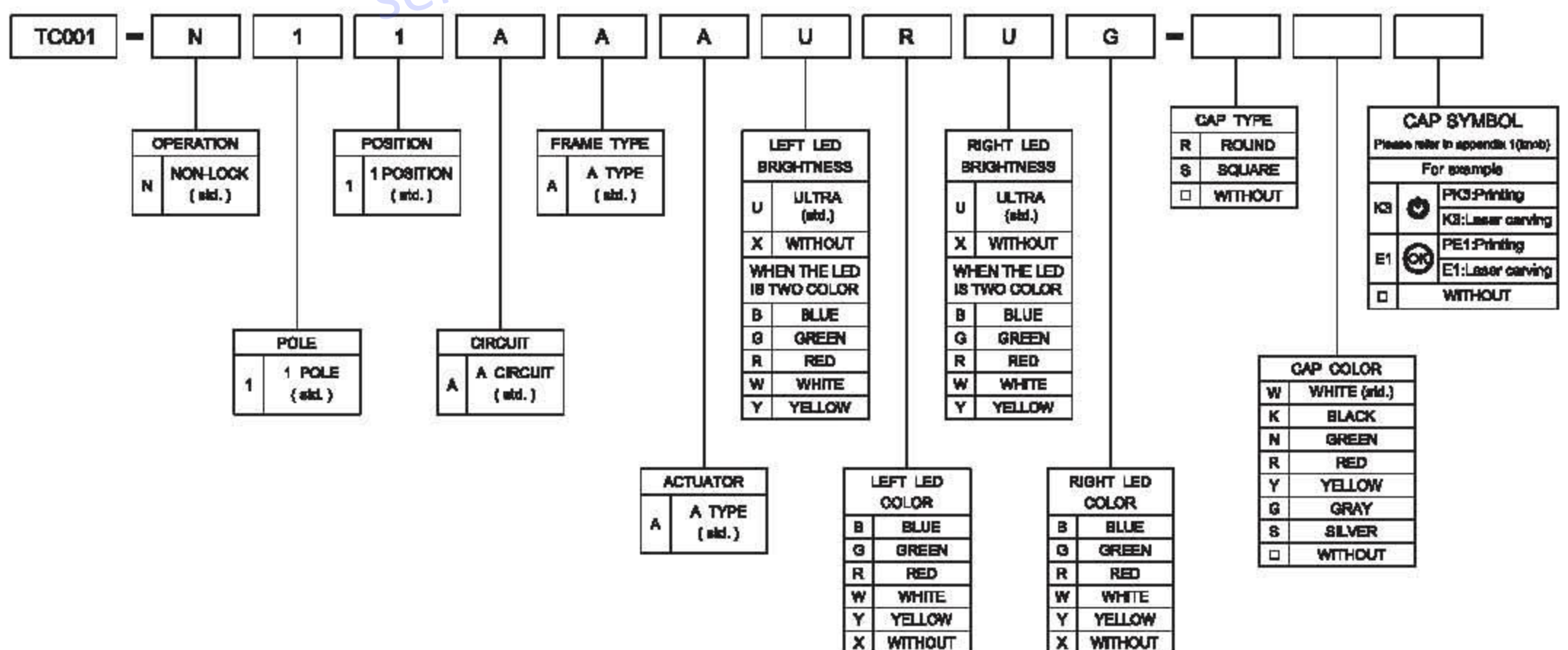
► **SPECIFICATIONS**

SWITCH SPECIFICATIONS	
POLE - POSITION	Momentary Type , SPST with LED
CONTACT RATING	12 V DC , 50 mA MAX ; 1 V DC , 10 μ A MIN.
CONTACT RESISTANCE	500 m Ω MAX. 1.5 V DC ; 100 mA , by Method of Voltage DROP
INSULATION RESISTANCE	100 M Ω MIN. 100 V DC for 1 minute
DIELECTRIC STRENGTH	Breakdown is not Allowable ; 250 V AC for 1 Minute
OPERATING FORCE	180 +75 / -30 gf
OPERATING LIFE	30,000 cycles
OPERATING TEMPERATURE RANGE	-20°C - 70°C
TOTAL TRAVEL	0.25 +0.2 / -0.1 mm

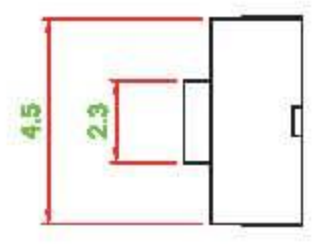
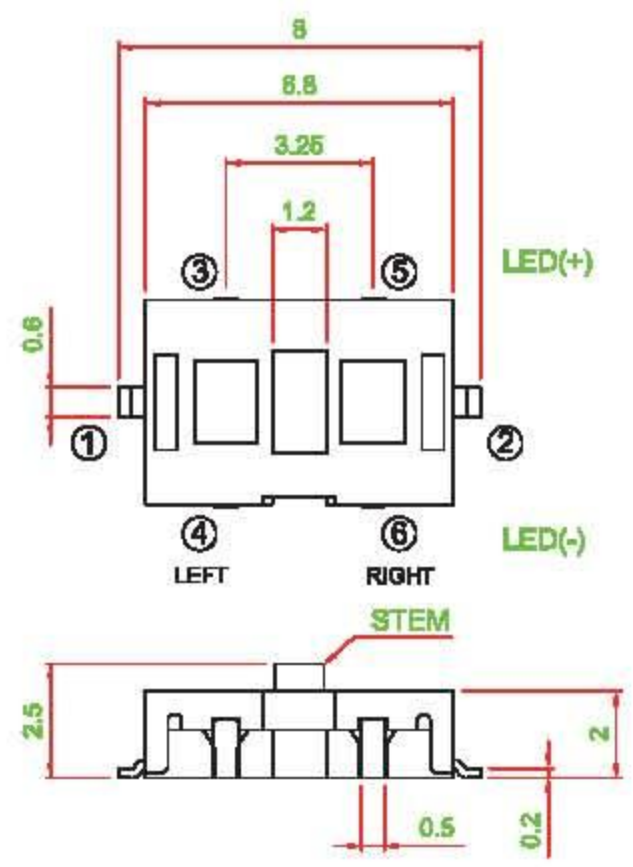
LED SPECIFICATIONS		Value / LED Color			
ATTENTION LEDs are Electrostatic Sensitive devices	Unit	Blue	Green	Red	Yellow
		FORWARD CURRENT	20	20	20
REVERSE VOLTAGE	5.0	5.0	5.0	5.0	
REVERSE CURRENT	10	10	10	10	
FORWARD VOLTAGE@20mA	3.5-3.8	2.0-2.5	2.0-2.5	2.0-2.5	
LUMINOUS INTENSITY@20mA	45	20	80	80	

Physical and electrical information of LED will be provided upon customer's request on switches .

► **HOW TO ORDER**



▶ DIMENSION

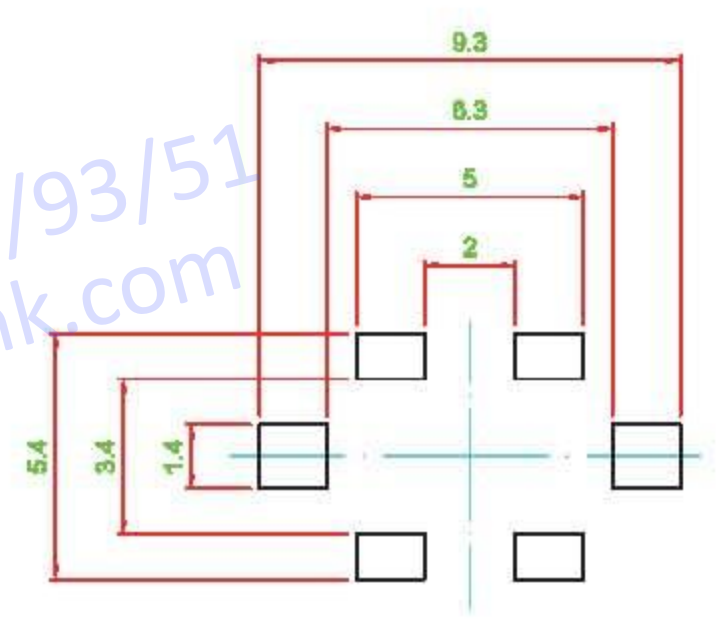


▶ TC001-N11AAA □□□□

▶ KNOB OPTION



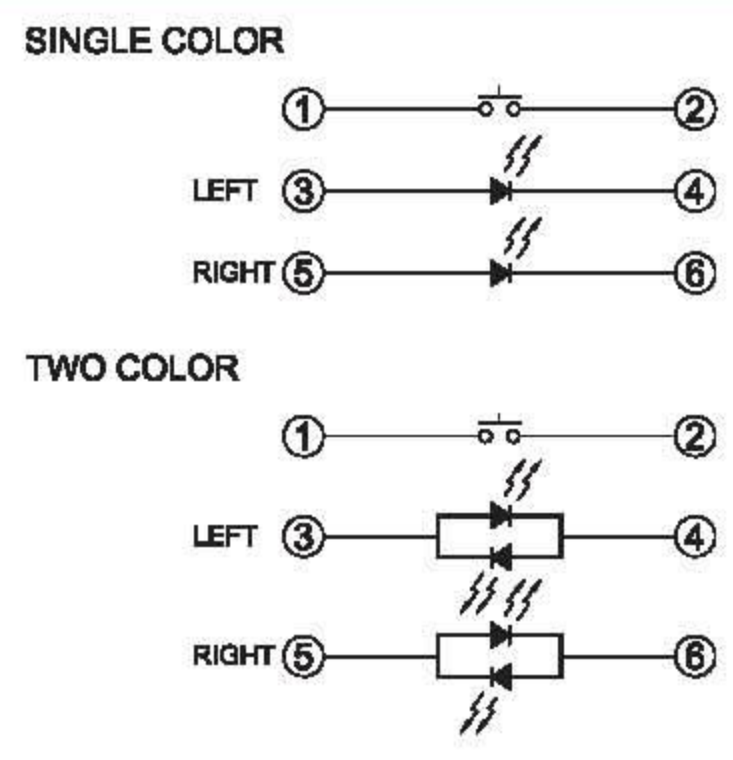
▶ P.C.B. LAYOUT



▶ MATERIAL

- COVER : LCP+GF
- ACTUATOR : LCP+GF
- BASE : LCP+GF
- TERMINAL : BRASS SILVER PLATING

▶ CIRCUIT DIAGRAM



▶ REFLOW SOLDERING

