



**Feature -**

- water proof IP67 sealed
- full color LED illuminated available
- long electrical life cycles
- SMT and vertical PCB terminal

**Application -**

- consumer products
- computer products
- Instrumentation
- communication equipments

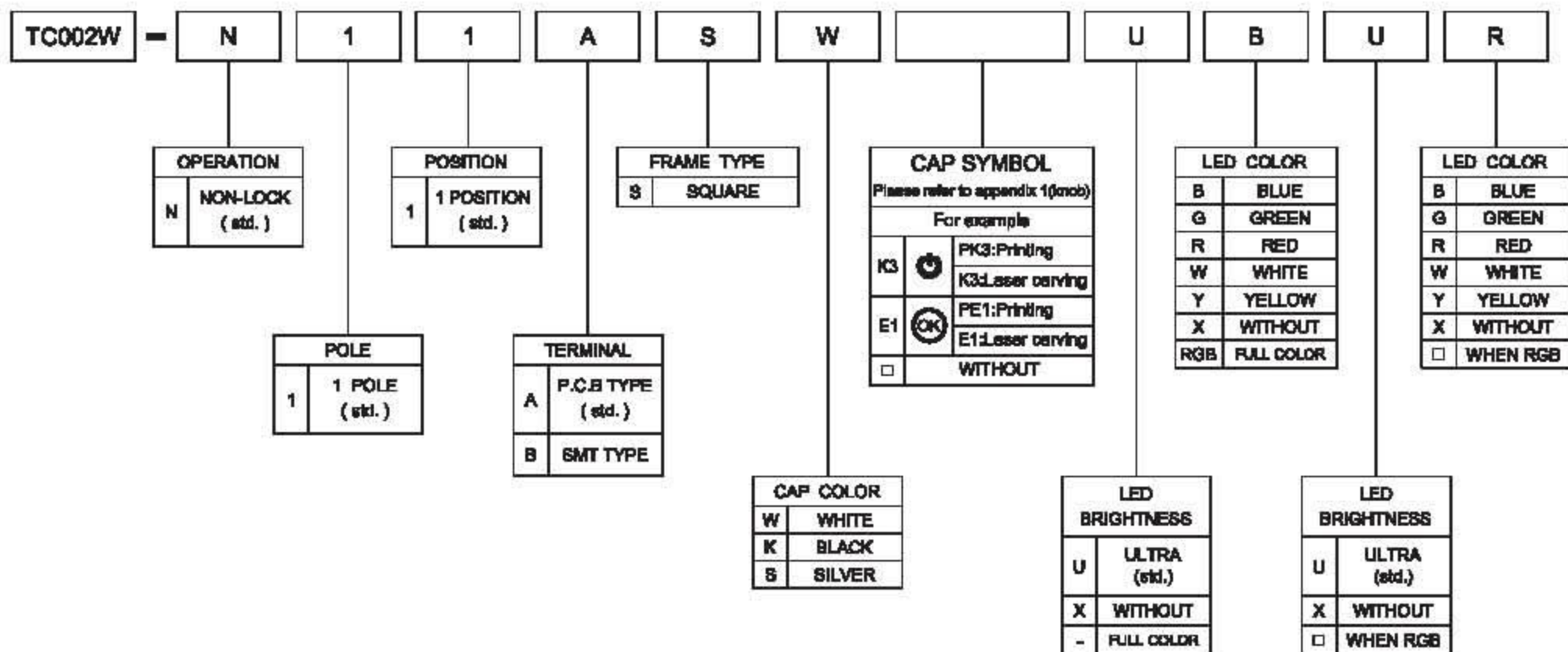
► **SPECIFICATIONS**

SWITCH SPECIFICATIONS	
POLE - POSITION	1P1T, with LED
CONTACT RATING	12 V DC, 50 mA
CONTACT RESISTANCE	100 mΩ MAX. 1.5 V DC; 100 mA, by Method of Voltage DROP
INSULATION RESISTANCE	100 MΩ MIN. 500 V DC
DIELECTRIC STRENGTH	Breakdown is not Allowable; 500 V AC for 1 Minute
OPERATING FORCE	300 ± 100 gf
OPERATING LIFE	500,000 cycles
OPERATING TEMPERATURE RANGE	-20°C ~ 70°C
TOTAL TRAVEL	0.2 ± 0.1 mm
SEALING	IP67

LED SPECIFICATIONS		Unit	Value / LED Color				
			Blue	Green	Red	White	Yellow
ATTENTION LEDs are Electrostatic Sensitive devices							
	FORWARD CURRENT	$I_f$	10	20	20	2	20
REVERSE VOLTAGE	$V_r$	V	5.0	5.0	5.0	5.0	5.0
REVERSE CURRENT	$I_r$	μA	10	10	10	10	10
FORWARD VOLTAGE	$V_f$	V	@ 10mA 3.0-4.0	2.1-2.5	2.0-2.5	@ 2mA 2.8-4.0	2.0-2.5
LUMINOUS INTENSITY	$I_v$	mcd	@ 10mA 200	800	1800	@ 2mA 12	1800

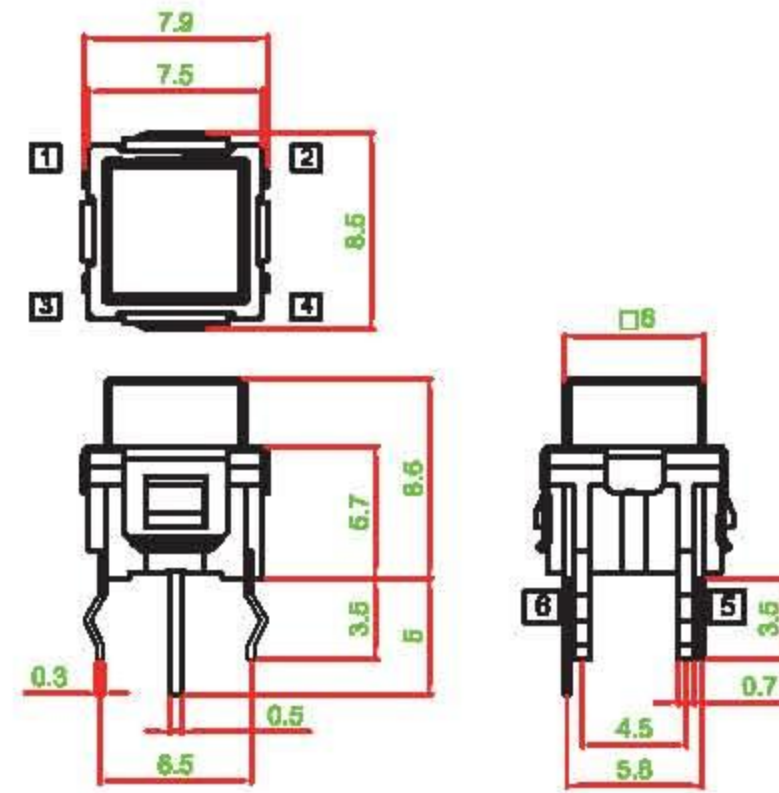
■ Physical and electrical information of LED will be provided upon customer's request on switches.

► **HOW TO ORDER**

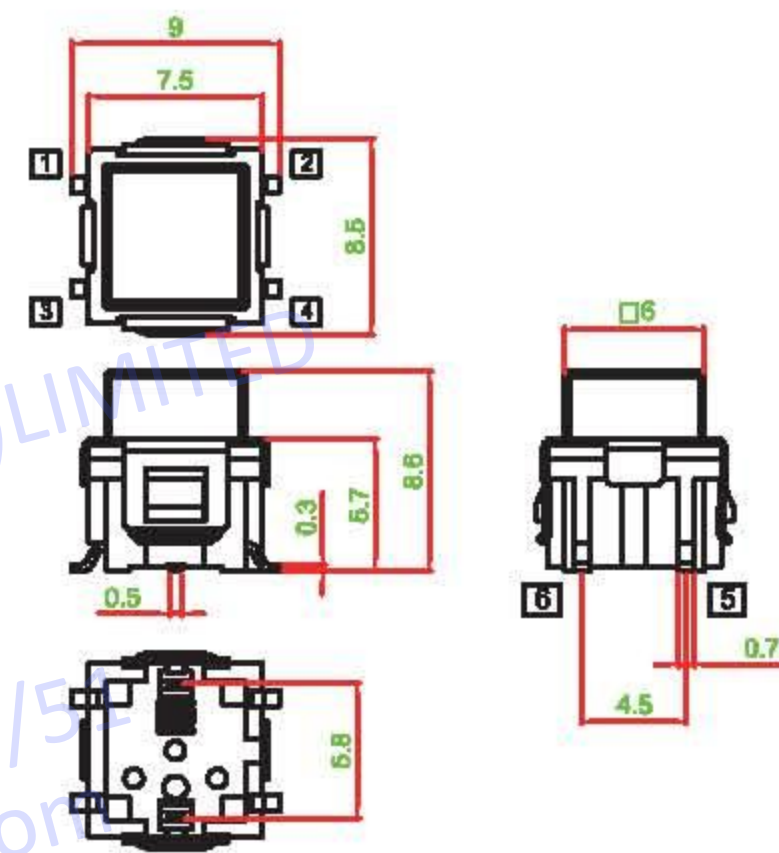


▶ P.C.B LAYOUT

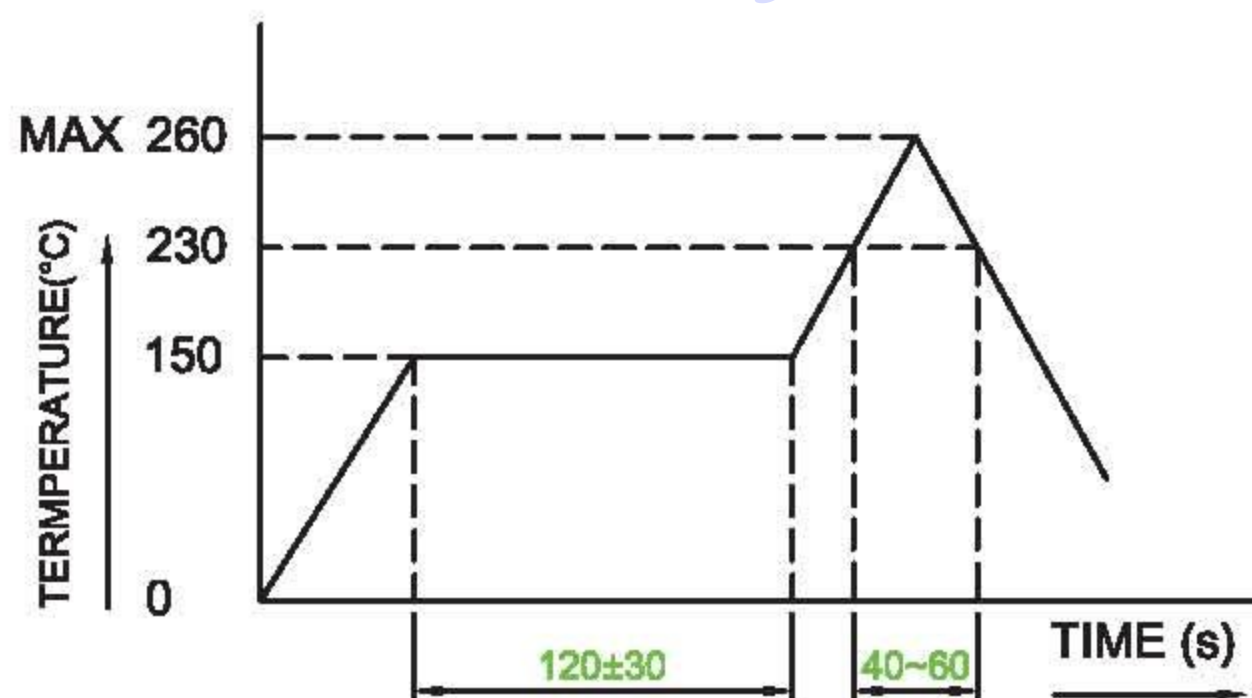
TC002W-N11ASW □□□□



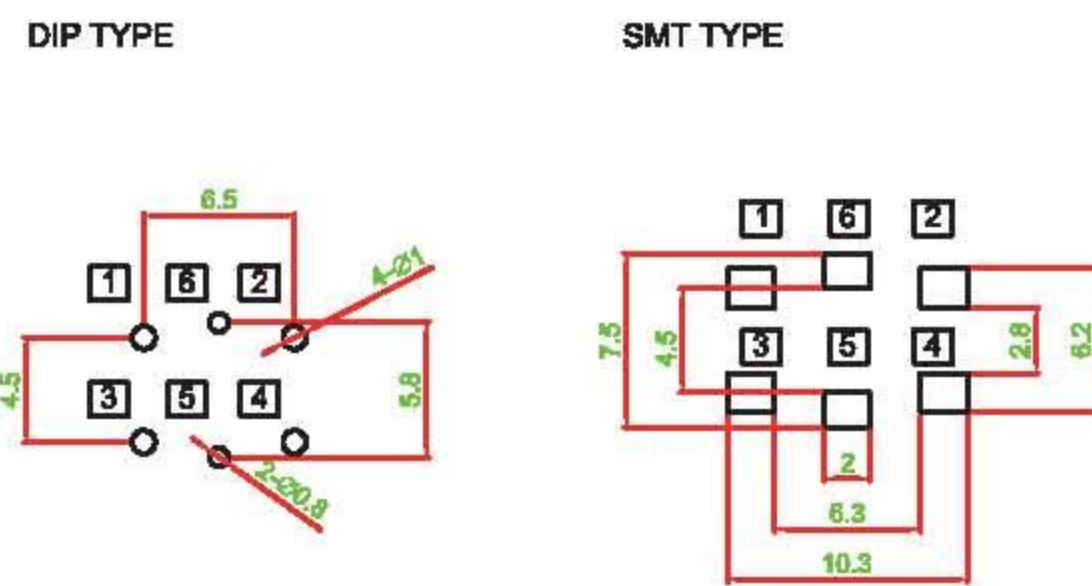
TC002W-N11BSW □□□□



▶ REFLOW SOLDERING



▶ P.C.B LAYOUT



▶ MATERIAL

- COVER - SILICON
- ACTUATOR - PA
- BASE FRAME - PA
- COVER - SUS
- TERMINAL - BRASS SILVER PLATING

▶ CIRCUIT

