



**Feature -**


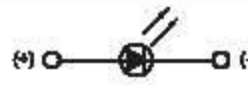
- small size
- bi-color LED illuminated available
- long electrical life cycles
- right angle and vertical PCB terminal

**Applications -**

- consumer products
- computer products
- instrumentation
- communication equipments

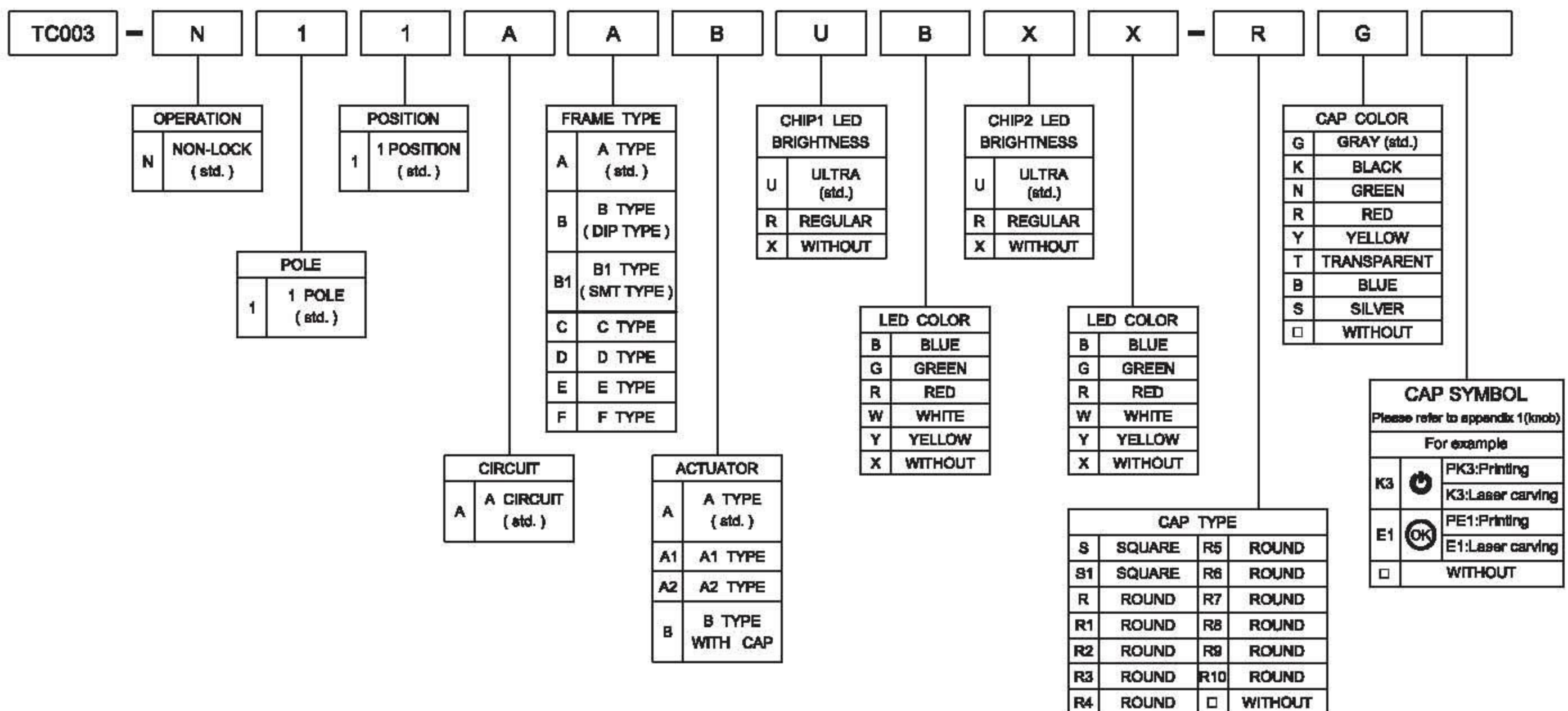
► **SPECIFICATIONS**

SWITCH SPECIFICATIONS	
POLE - POSITION	1P1T, Right Angle Push on Type, with or w/o LED are Available
CONTACT RATING	12 V DC, 50 mA
CONTACT RESISTANCE	100 mΩ MAX. 1.5 V DC; 100 mA, by Method of Voltage DROP
INSULATION RESISTANCE	100 MΩ MIN. 500 V DC
DIELECTRIC STRENGTH	Breakdown Is not Allowable; 500 V AC for 1 Minute
OPERATING FORCE	180 ± 50 gf
OPERATING LIFE	500,000 cycles
OPERATING TEMPERATURE RANGE	-20°C ~ 70°C
TOTAL TRAVEL	0.2 ± 0.1 mm

LED SPECIFICATIONS		Unit	Value / LED Color				
			Blue	Green	Red	White	Yellow
 ATTENTION LEDs are Electrostatic Sensitive devices							
	FORWARD CURRENT	$I_f$	mA	10	20	20	2
REVERSE VOLTAGE	$V_r$	V	5.0	5.0	5.0	5.0	5.0
REVERSE CURRENT	$I_r$	μA	10	10	10	10	10
FORWARD VOLTAGE	$V_f$	V	@ 10mA 3.0-4.0	2.1-2.5	2.0-2.5	@ 2mA 2.8-4.0	2.0-2.5
LUMINOUS INTENSITY	$I_v$	md	@ 10mA 200	800	1800	@ 2mA 12	1800

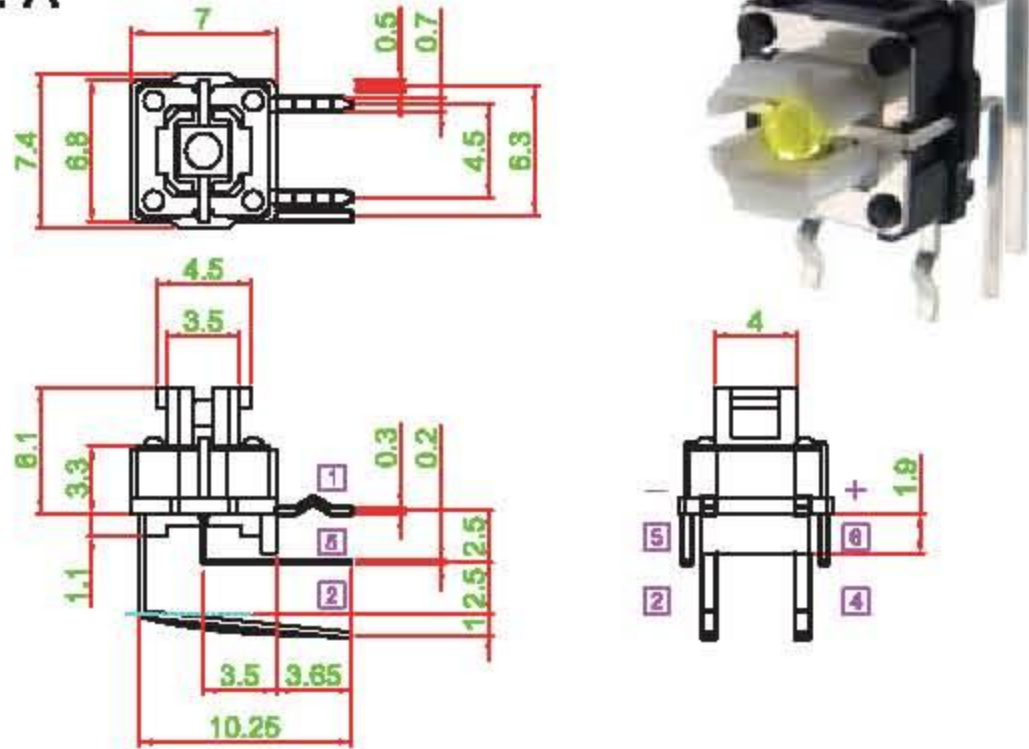
Physical and electrical information of LED will be provided upon customer's request on switches.

► **HOW TO ORDER**

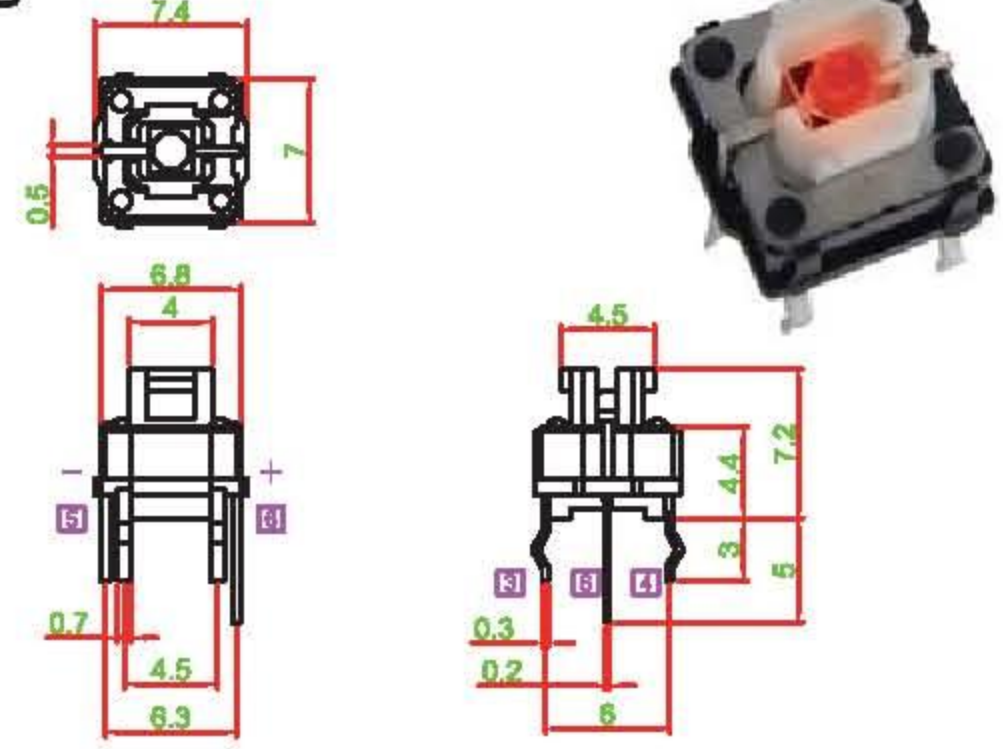


**▶ FRAME TYPE OPTION**

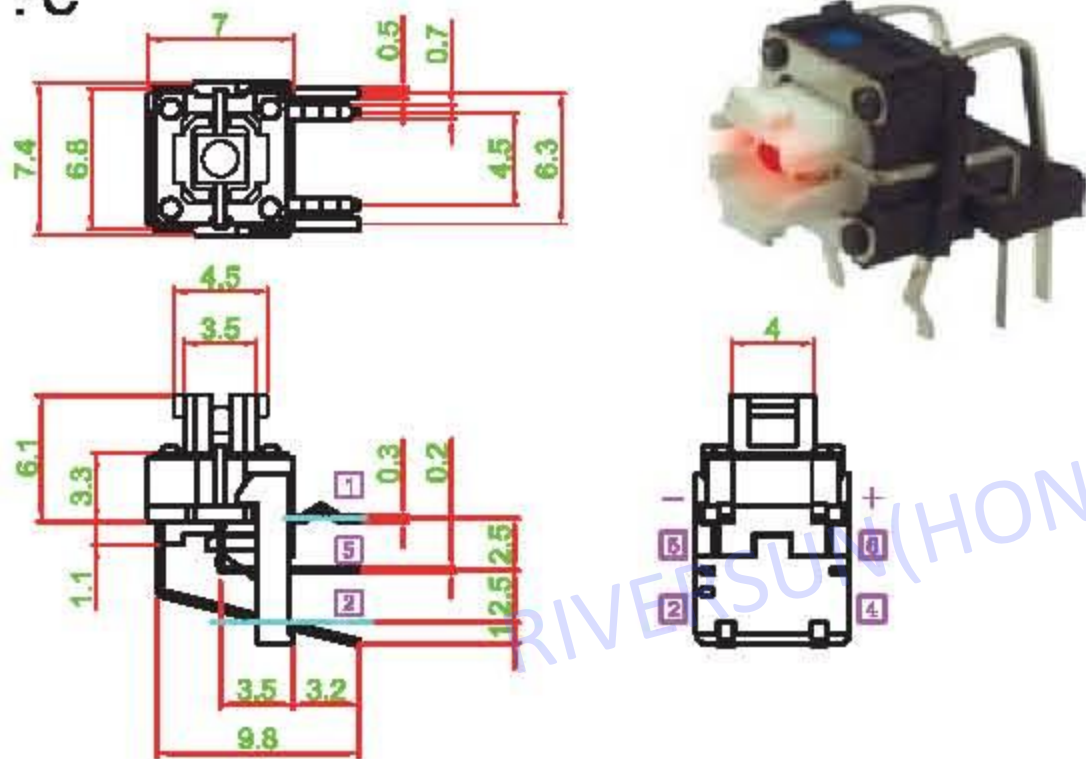
**TYPE : A**



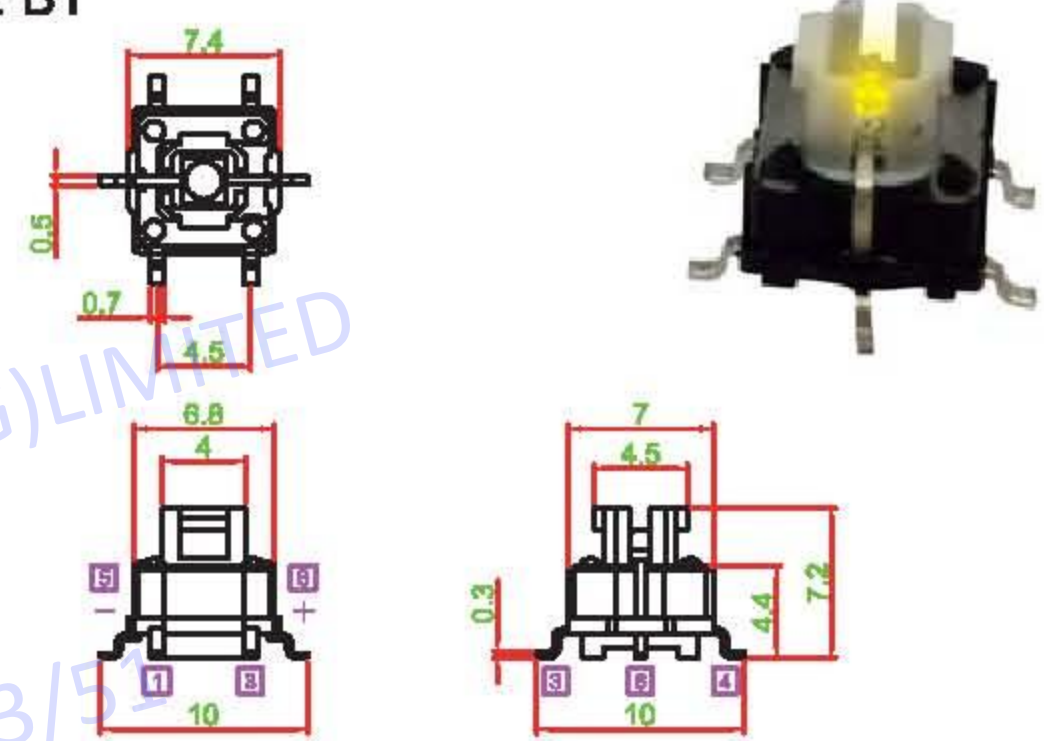
**TYPE : B**



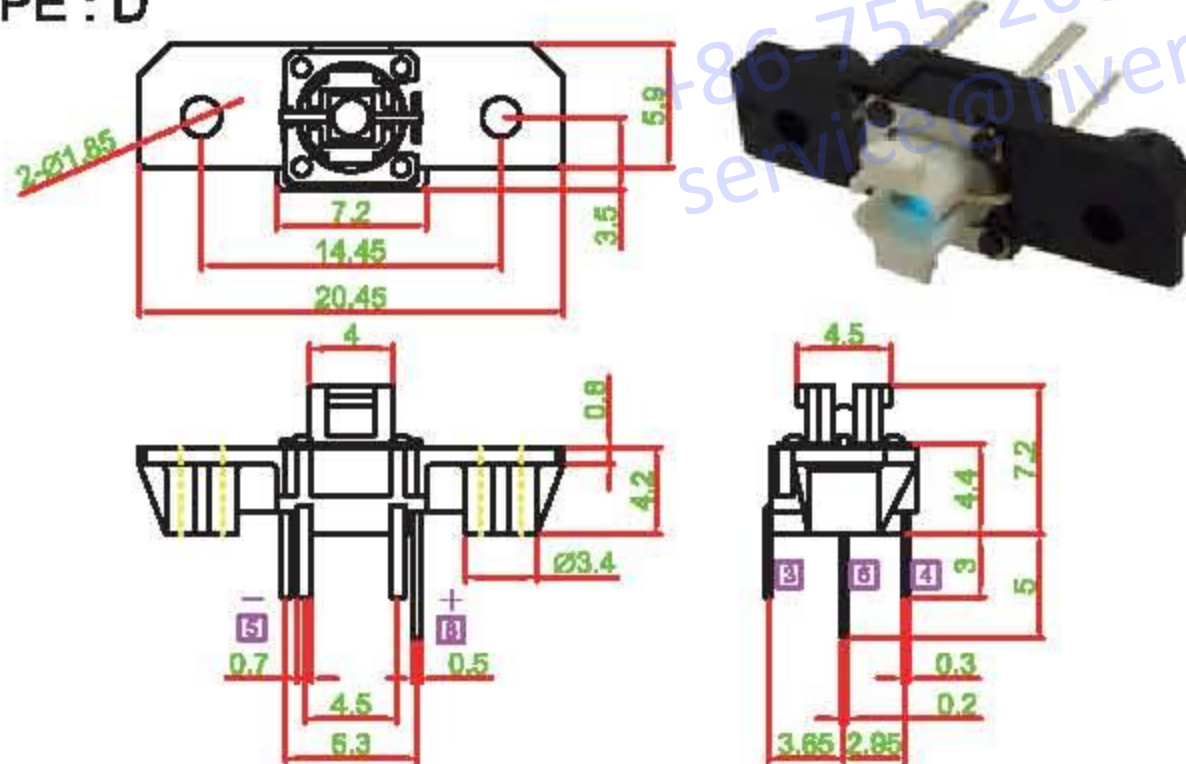
**TYPE : C**



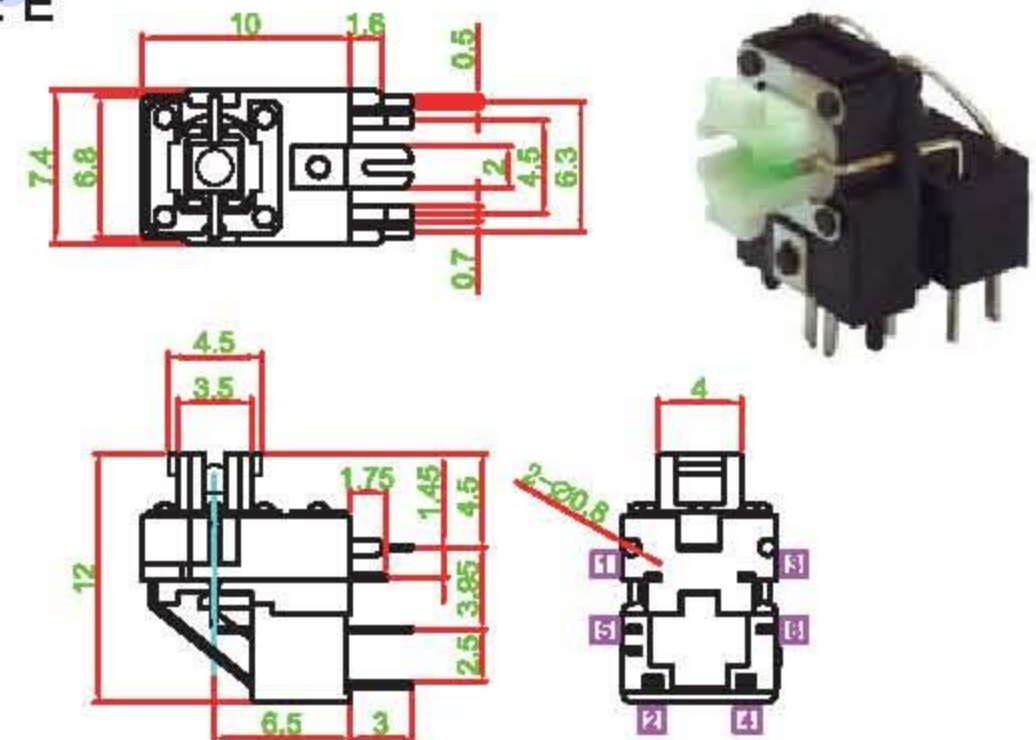
**TYPE : B1**



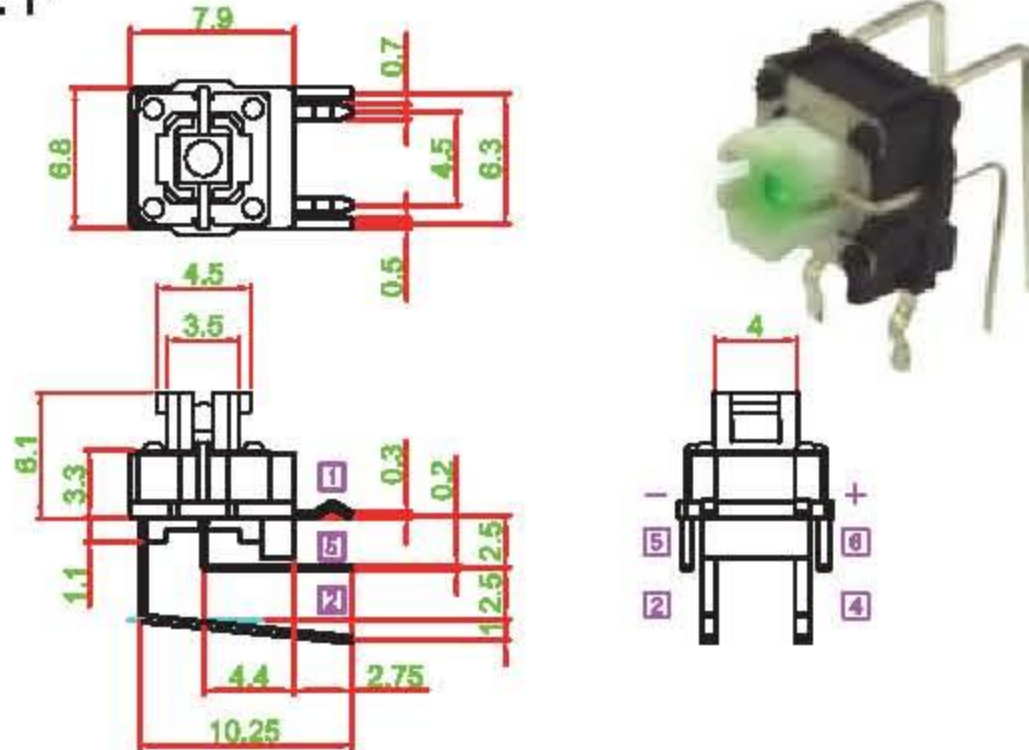
**TYPE : D**



**TYPE : E**

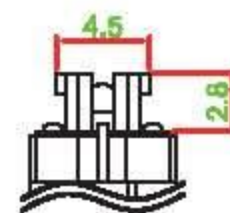


**TYPE : F**

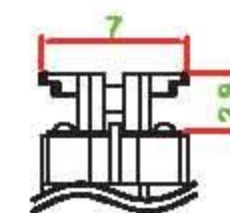


**▶ ACTUATOR TYPE OPTION**

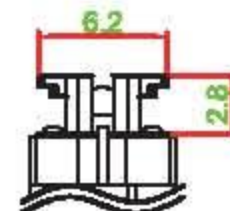
**TYPE : A**



**TYPE : A1**



**TYPE : A2**



**TYPE : B**



**▶ KNOB TYPE OPTION**

<p><b>S TYPE</b></p>	<p><b>S1 TYPE</b></p>	<p><b>R TYPE</b></p>
<p><b>R1 TYPE</b></p>	<p><b>R2 TYPE</b></p>	<p><b>R3 TYPE</b></p>
<p><b>R4 TYPE</b></p>	<p><b>R5 TYPE</b></p>	<p><b>R6 TYPE</b></p>
<p><b>R7 TYPE</b></p>	<p><b>R8 TYPE (ODM)</b></p>	<p><b>R9 TYPE (ODM)</b></p>

<p><b>R10 TYPE</b></p>
------------------------

**▶ P.C.B LAYOUT**

<p><b>RIGHT ANGLE</b></p>	<p><b>FRAME : B</b></p>	<p><b>FRAME : B1</b></p>
<p><b>FRAME : D</b></p>	<p><b>FRAME : E</b></p>	<p><b>▶ MATERIAL</b></p> <ul style="list-style-type: none"> <li>■ COVER : PA</li> <li>■ ACTUATOR : PA + GF</li> <li>■ BASE FRAME : PA + GF</li> <li>■ BRASS TERMINAL : SILVER PLATING</li> <li>■ STEADY PLATE : SUS</li> </ul>

**▶ SCHEMATIC**

