



Feature -

- DPST
- two buttons in line
- vertical PCB mount
- LED illuminated available

Applications -

- office equipments
- measuring instruments
- audio, TV, VCRs
- many types of electronic equipments

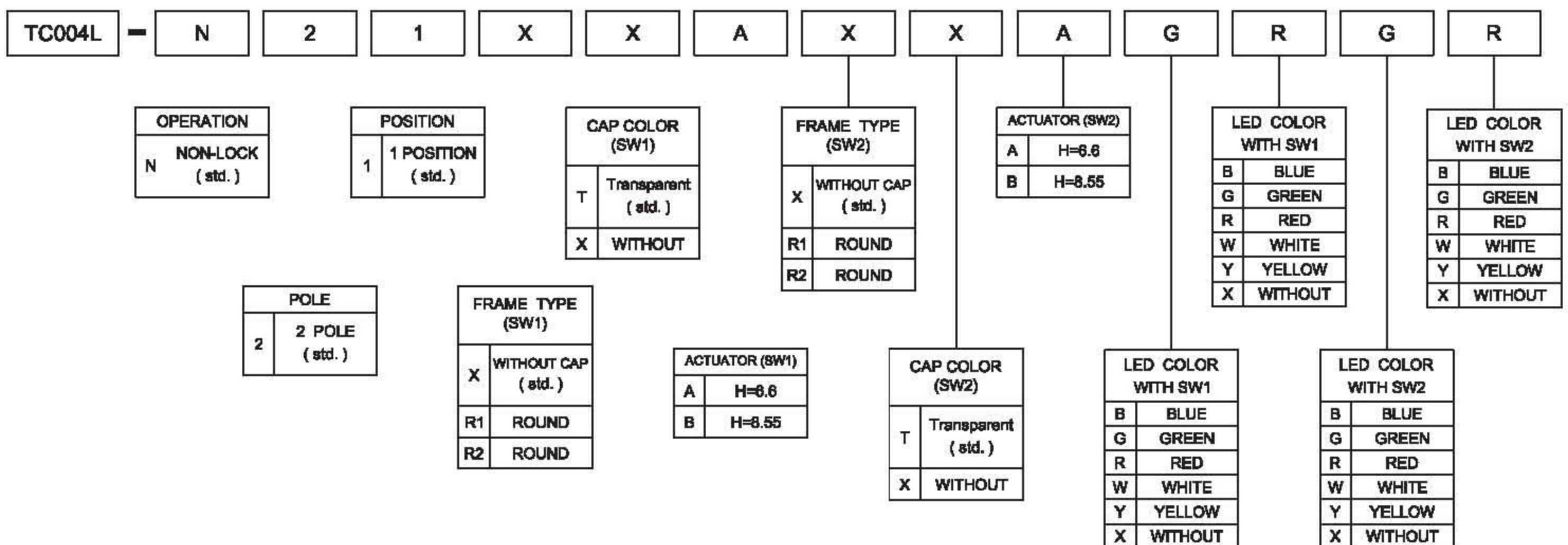
► **SPECIFICATIONS**

| SWITCH SPECIFICATIONS | |
|-----------------------------|---|
| POLE - POSITION | DPST |
| CONTACT RATING | 12 V DC , 50 mA |
| CONTACT RESISTANCE | 100 mΩ MAX. 5 V DC ; 1 A , by Method of Voltage DROP |
| INSULATION RESISTANCE | 100 MΩ MIN. 100 V DC for 1 minute |
| DIELECTRIC STRENGTH | Breakdown is not Allowable ; 100 V AC for 1 Minute |
| OPERATING FORCE | 160 ± 50 gf |
| OPERATING LIFE | 500,000 cycles |
| OPERATING TEMPERATURE RANGE | -20°C ~ 70°C |
| TOTAL TRAVEL | 0.25 ± 0.10 mm |

| LED SPECIFICATIONS | | Value / LED Color | | | |
|---|---------|-------------------|---------|---------|--------|
| ATTENTION LEDs are Electrostatic Sensitive devices | Unit | Blue | Green | Red | Yellow |
| | | FORWARD CURRENT | 20 | 20 | 20 |
| REVERSE VOLTAGE | 5.0 | 5.0 | 5.0 | 5.0 | |
| REVERSE CURRENT | 10 | 10 | 10 | 10 | |
| FORWARD VOLTAGE@20mA | 3.3-4.0 | 2.1-2.5 | 2.0-2.5 | 2.0-2.5 | |
| LUMINOUS INTENSITY@20mA | 1300 | 700 | 900 | 700 | |

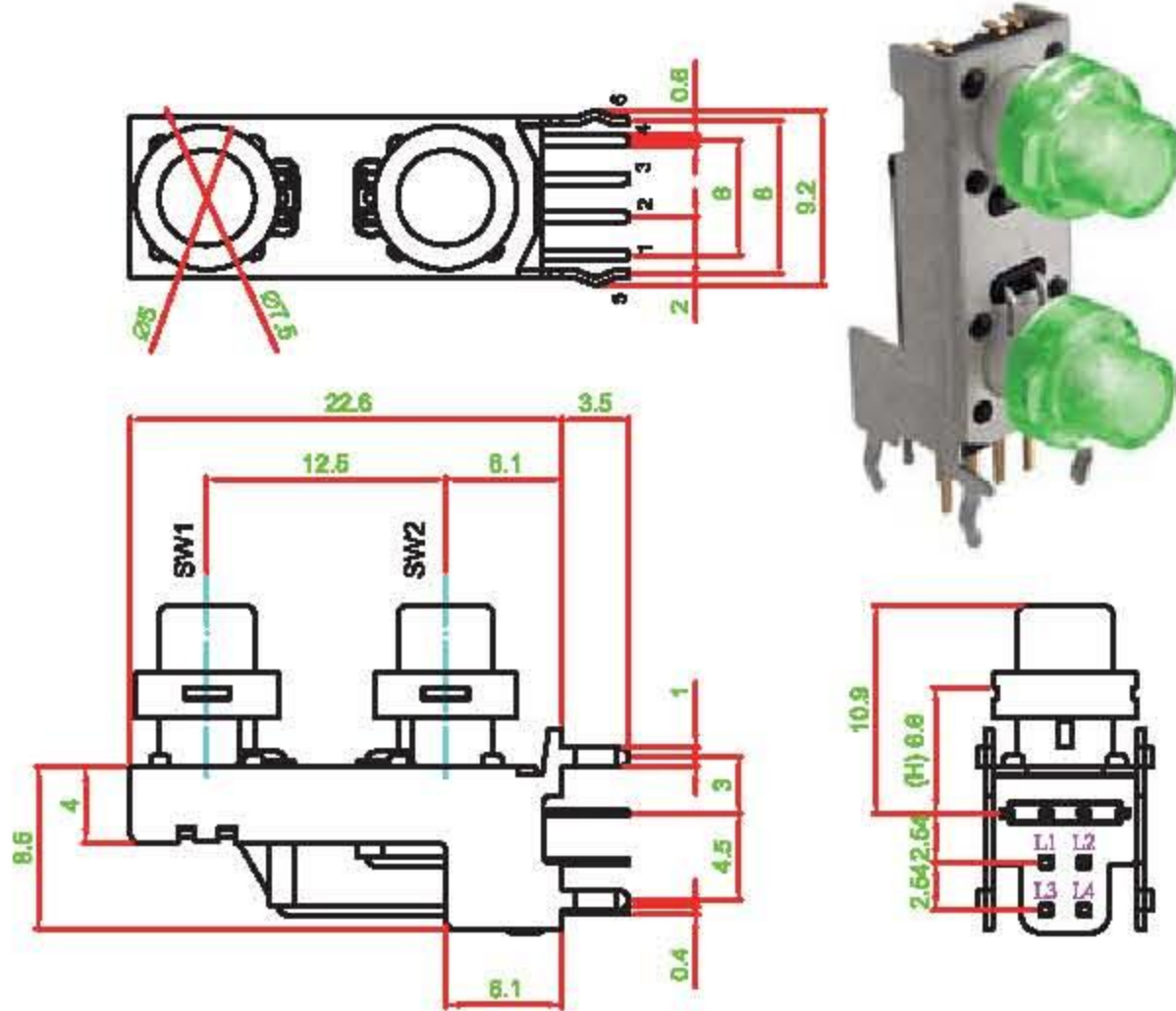
■ Physical and electrical information of LED will be provided upon customer's request on switches .

► **HOW TO ORDER**

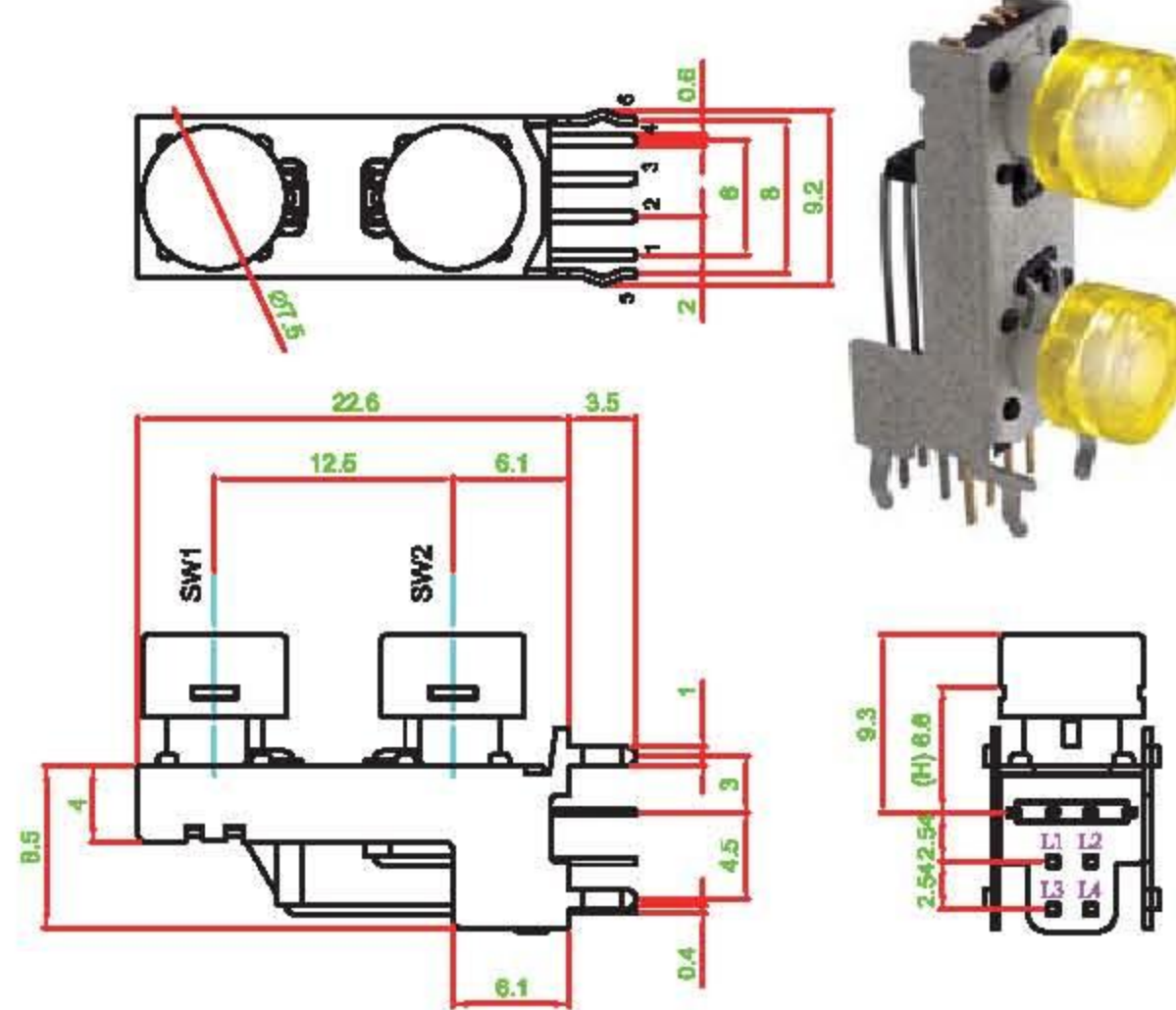


▶ **FRAME TYPE OPTION**

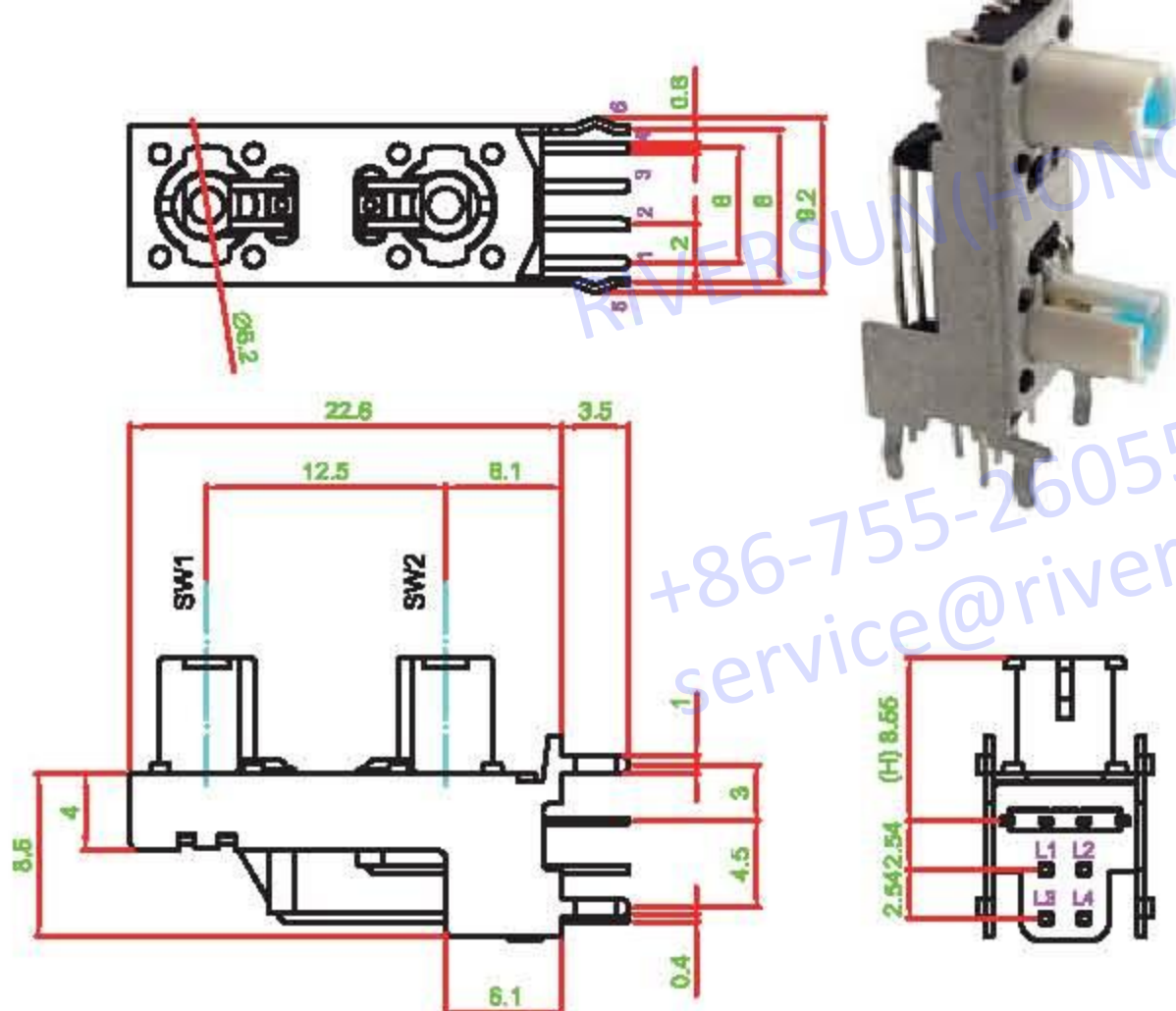
TC004L-N21R1TAR1TA□□□□



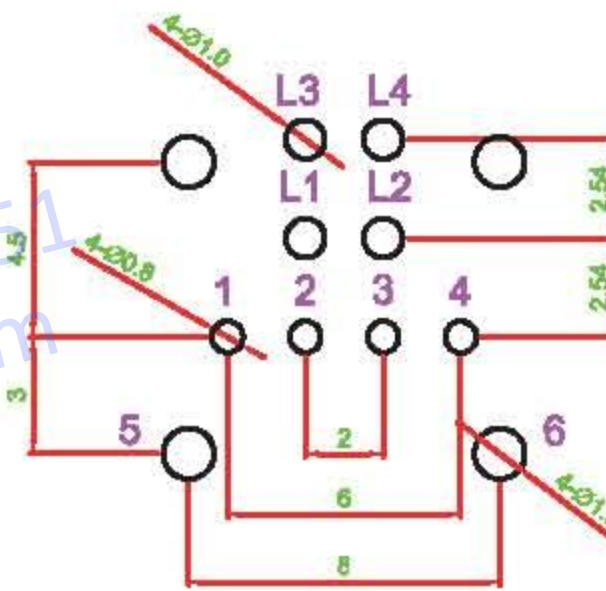
TC004L-N21R2TAR2TA□□□□



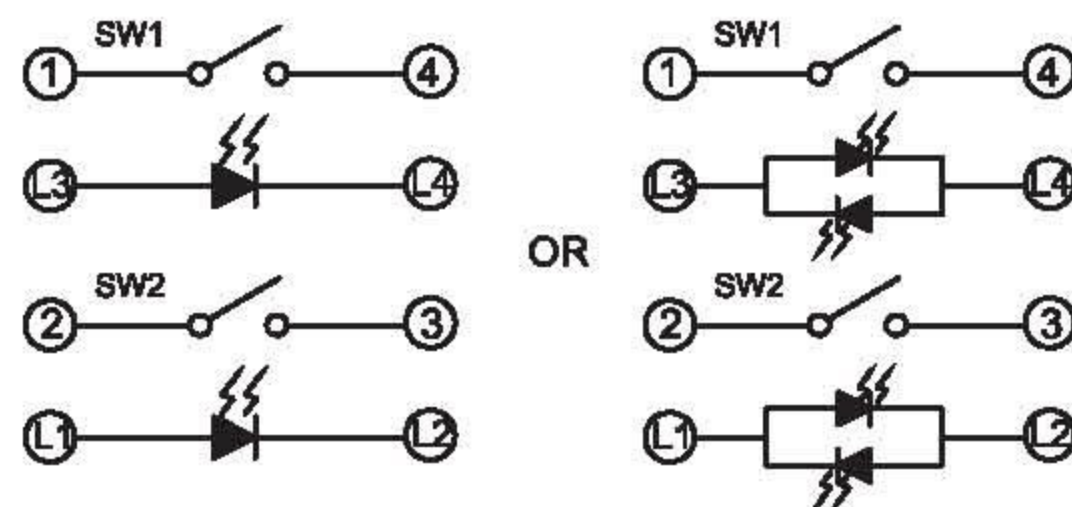
TC004L-N21XXBXXB□□□□



▶ **P.C.B LAYOUT**



▶ **CIRCUIT**



▶ **MATERIAL**

- ACTUATOR : PA66
- TERMINAL : BRASS SILVER PLATING
- FRAME : STEEL PLATE
- SPRING PLATE : STAINLESS STEEL
- BASE FRAME : PA66