



Feature -


- noiseless, conductive rubber
- light click feeling
- full color LED illuminated available
- long electrical life cycles

Application -

- audio / video products
- Instrumentation
- communication equipments

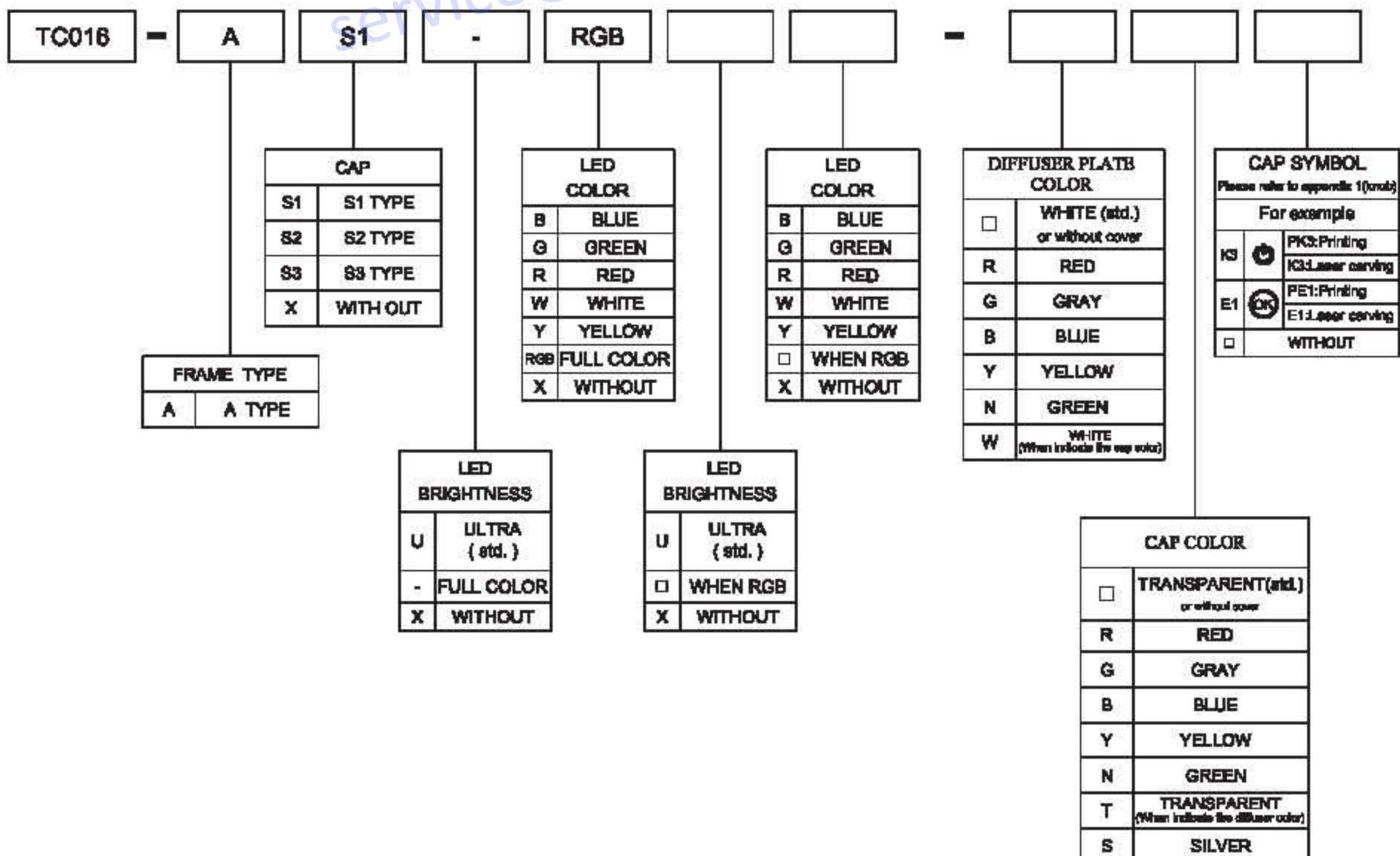
► **SPECIFICATIONS**

SWITCH SPECIFICATIONS	
POLE - POSITION	OFF - <ON> for Momentary Type , SPST
CONTACT RATING	1mA 20V DC
CONTACT RESISTANCE	200Ω MAX.
INSULATION RESISTANCE	100 MΩ min. 100 V DC
DIELECTRIC STRENGTH	Breakdown is not Allowable ; 250 V AC for 1 Minute
OPERATING FORCE	160 ± 40 gf
OPERATING LIFE	500,000 cycles
OPERATING TEMPERATURE RANGE	-20°C ~ 70°C
TOTAL TRAVEL	1.8 ± 0.3 mm

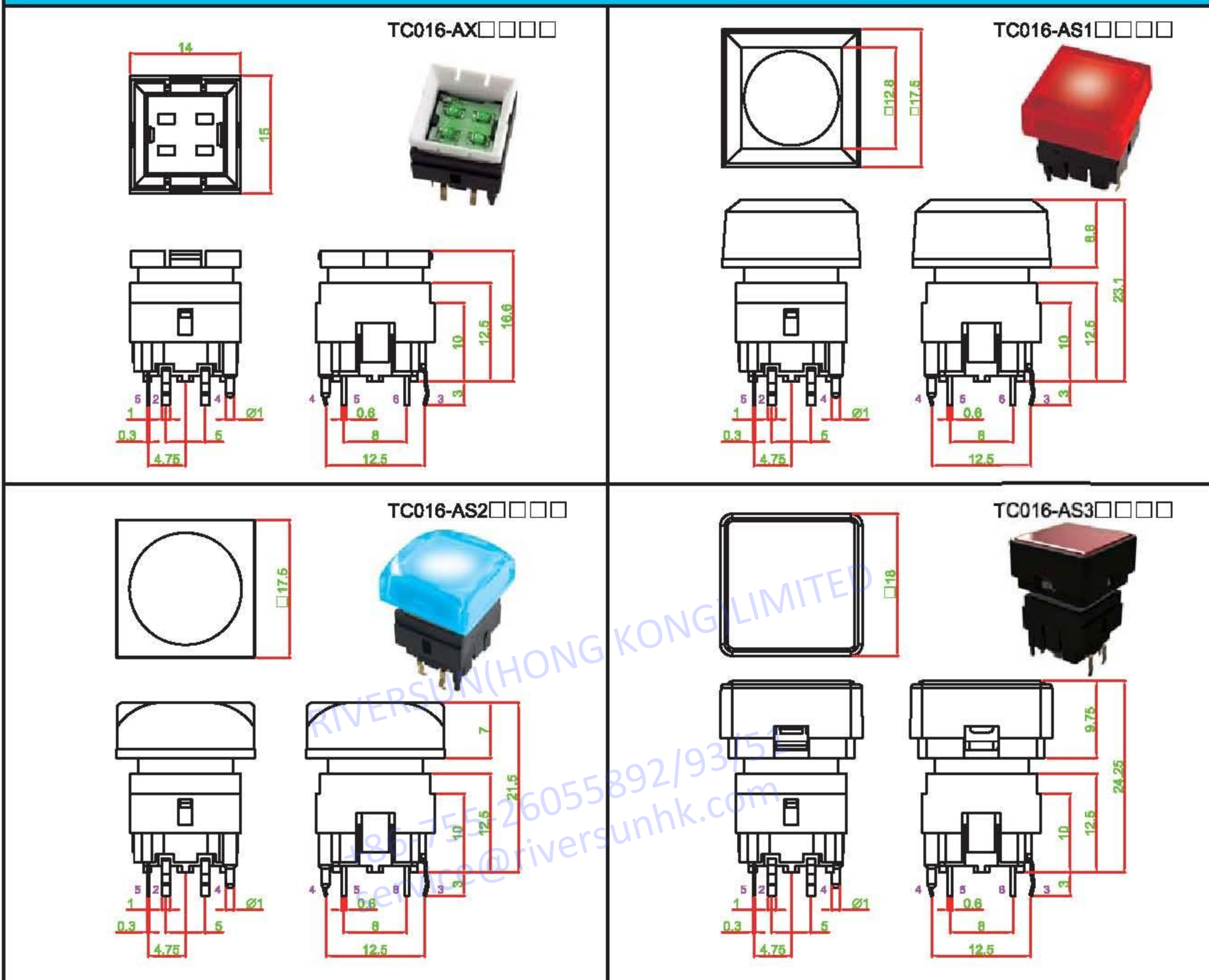
LED SPECIFICATIONS				
 ATTENTION LEDs are Electrostatic Sensitive devices	Unit	Value / LED Color		
			Ultra Green	Ultra Yellow
FORWARD CURRENT	If	mA	20	20
REVERSE VOLTAGE	Vr	V	5.0	5.0
REVERSE CURRENT	Ir	μA	10	10
FORWARD VOLTAGE@20mA	Vf	V	2.1-2.5	2.0-2.5
LUMINOUS INTENSITY@20mA	Iv	mcd	60	120

Physical and electrical information of LED will be provided upon customer's request on switches .

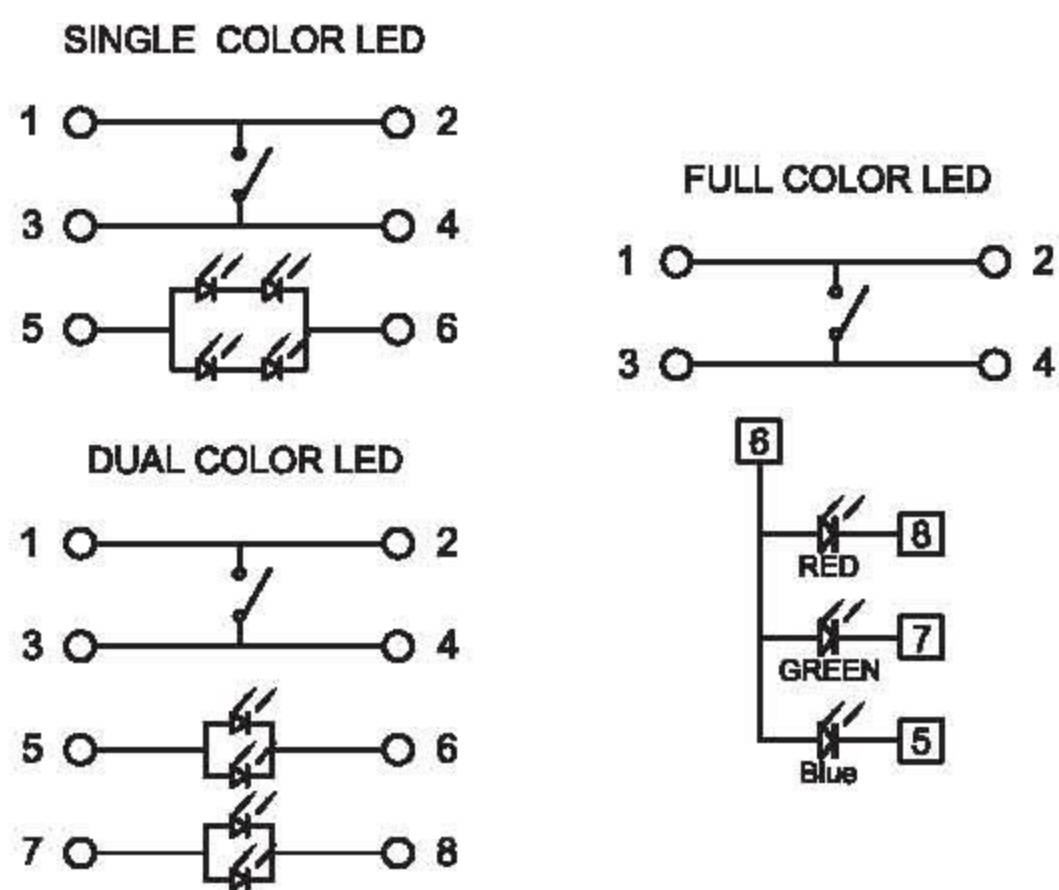
► **HOW TO ORDER**



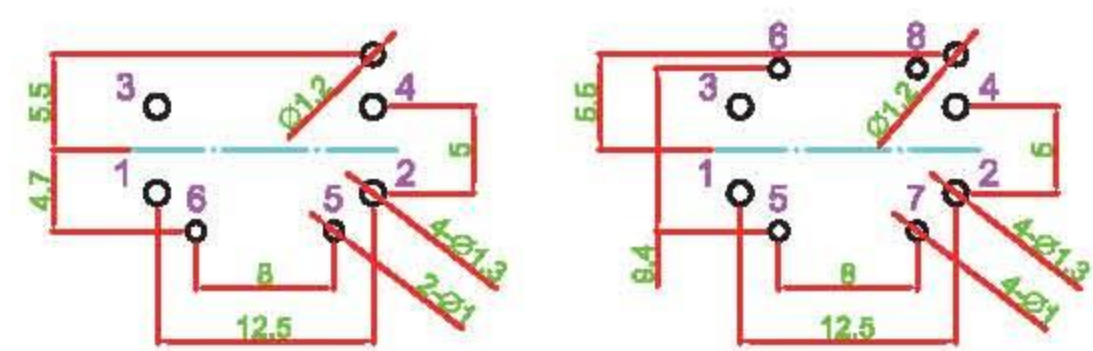
► DIMENSION



► CIRCUIT



► P.C.B LAYOUT



► MATERIAL

- ACTUATOR : POM
- TERMINAL : BRASS GOLD PLATING
- FRAME : STEEL PLATE
- SPRING : STAINLESS STEEL

