

2A Series

Sealed Sub Miniature Toggle Switches



SPECIFICATIONS

CONTACT RATING: Dependent upon contact material See Page 33.

MECHANICAL LIFE: 30,000 make-and-break cycles.

CONTACT RESISTANCE: 20 mΩ max. initial @ 2-4VDC
100mA for both silver and gold plated contacts.

INSULATION RESISTANCE: 1,000 MΩ min.

DIELECTRIC STRENGTH: 1,000 Vrms min.@sea level.

OPERATING TEMPERATURE: -30°C to 85°C.

MATERIALS

CASE & BUSHING: Glass filled nylon 6/6, flame retardant, heat stabilized (UL94v-0).

ACTUATOR: Brass, chrome plated, internal O-ring seal.
Standard for all actuators.

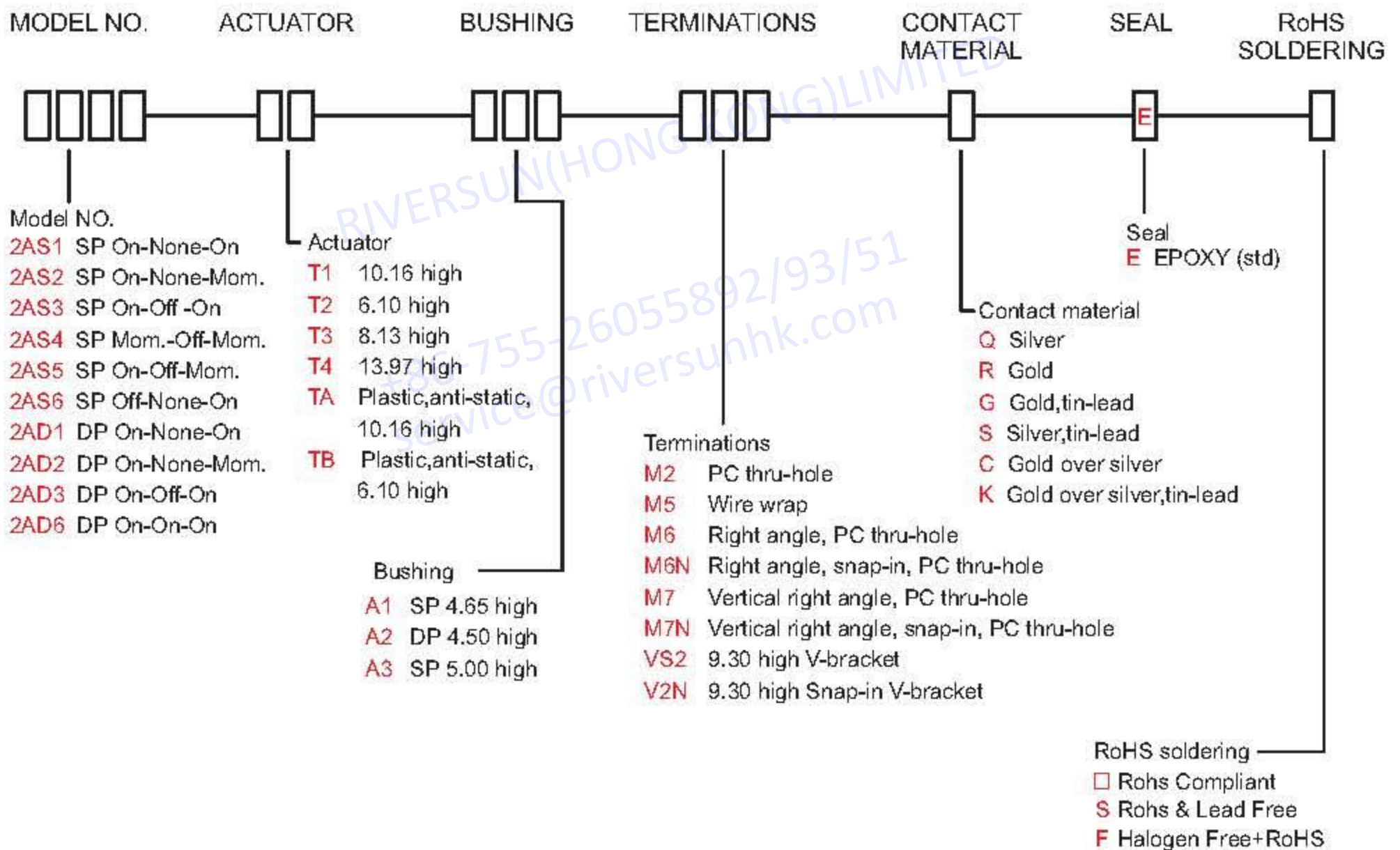
SWITCH SUPPORT: Brass, tin plated.

CONTACT / TERMINALS: Copper alloy with Silver or gold plated.
(See Page 33)



2A
Toggle Switches

HOW TO ORDER



SWITCH FUNCTION

2A Sealed Sub-Minature Toggle Switches

NO. POLES	UL/CSA MODEL NO.	MODEL NO.	SWITCH FUNCTION			CONNECTED TERMINALS / SCHEMATIC		
			POS.1	POS.2	POS.3	POS.1	POS.2	POS.3
SP	Q22A11	2AS1	ON	NONE	ON	2-3	N/A	2-1
	Q22A12	2AS2	ON	NONE	MOM			
	Q22A13	2AS3	ON	OFF	ON			
	Q22A14	2AS4	MOM	OFF	MOM		OPEN	
	Q22A15	2AS5	ON	OFF	MOM			
	Q22A16	2AS6	OFF	NONE	ON	OPEN	N/A	3-1
DP	Q22A21	2AD1	ON	NONE	ON	2-3,5-6	N/A	2-1,5-4
	Q22A22	2AD2	ON	NONE	MOM			
	Q22A23	2AD3	ON	OFF	ON		OPEN	
	Q22A26	2AD6	ON	ON	ON	2-3,5-6		

MOM=MOMENTARY

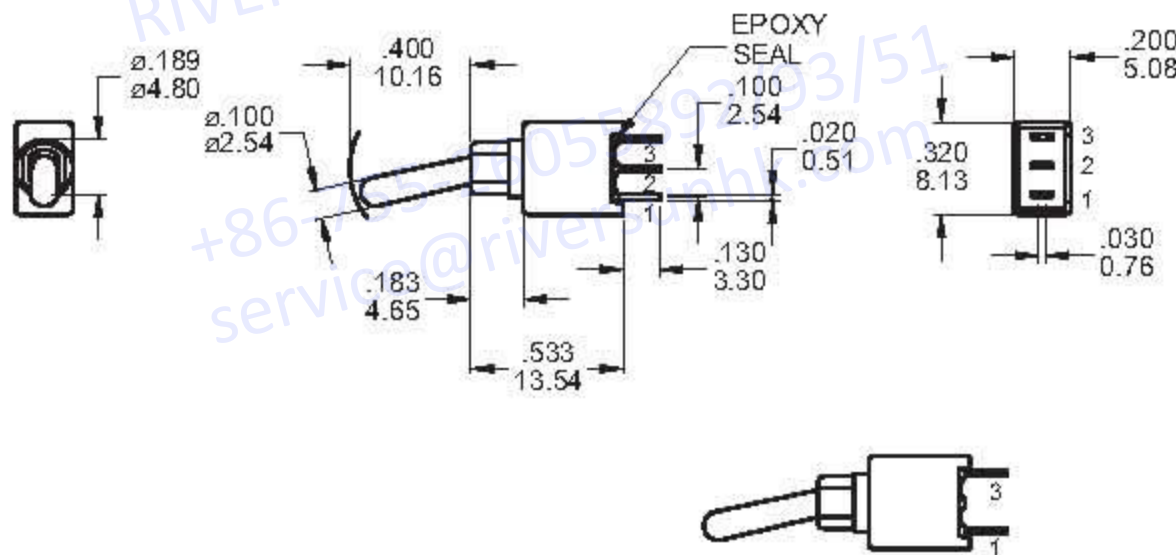
▲ Please check the availability in advance before order

POLE OPTIONS



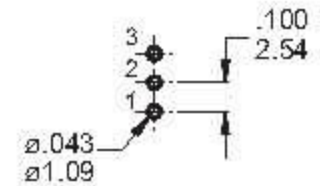
SPDT

Part No. Shown : 2AS1T1A1M2RE



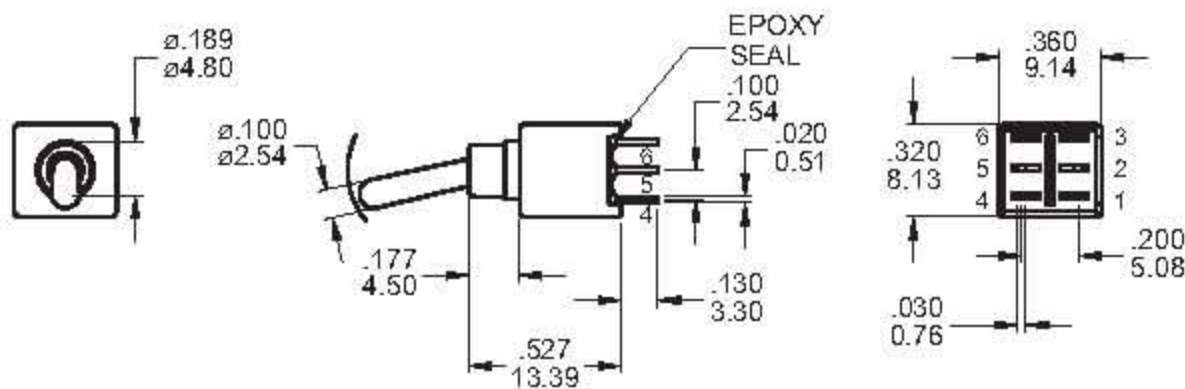
2AS6 Models : Omit 2nd terminal

P.C. MOUNTING

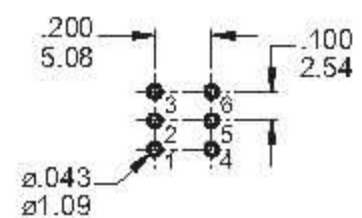


DPDT

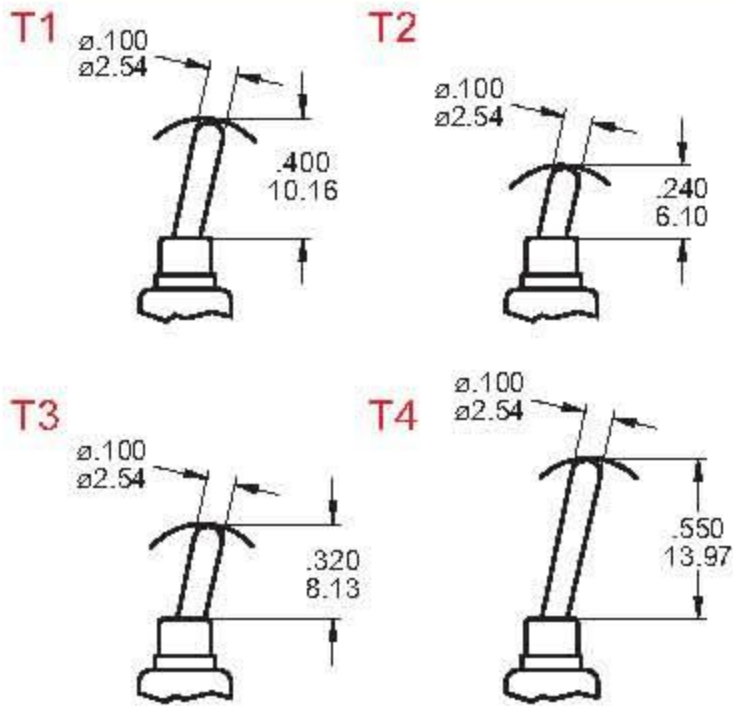
Part No. Shown : 2AD1T1A2M2QE



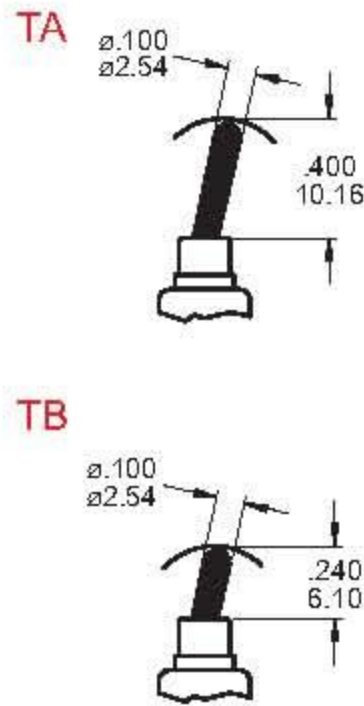
P.C. MOUNTING



ACTUATOR OPTIONS

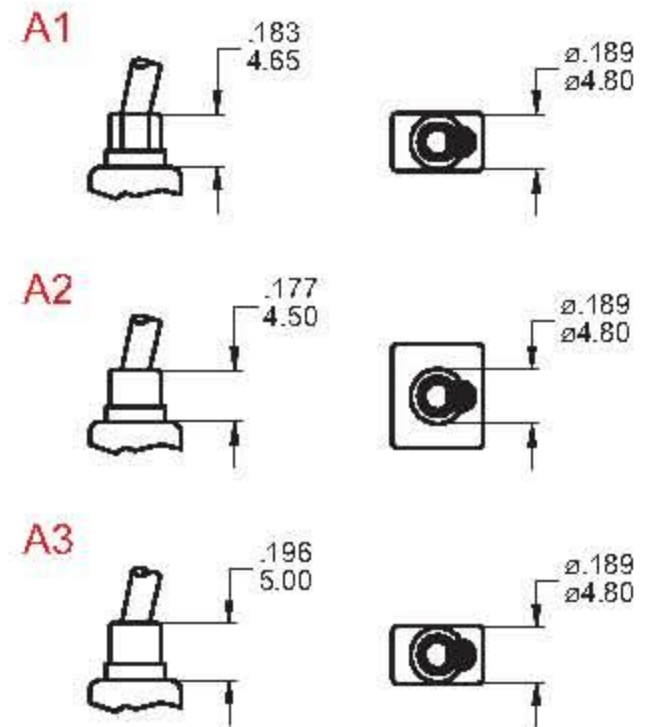


Actuator shown with A1 Bushing, sub .013 (0.34) for A3 Bushing.



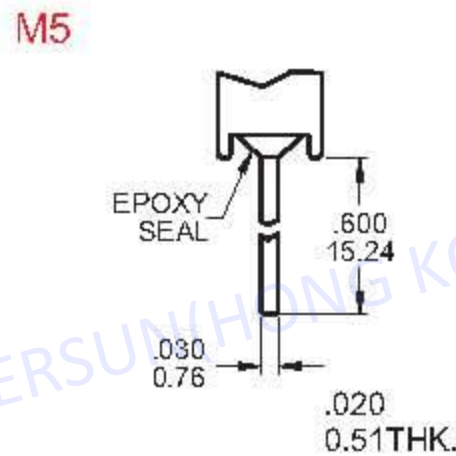
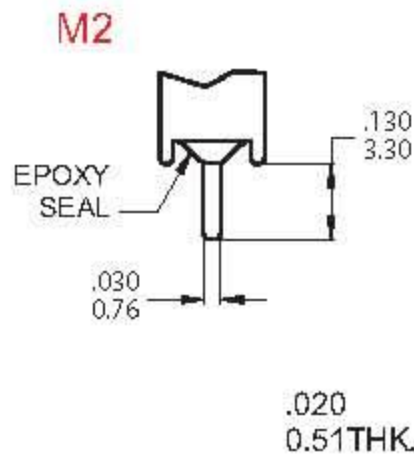
ESD
PLASTIC ACTUATOR

BUSHING OPTIONS



A1, A3 FOR SPDT / A2 FOR DPDT

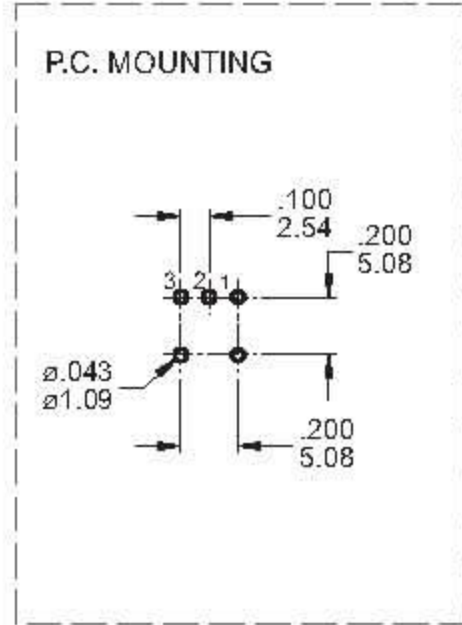
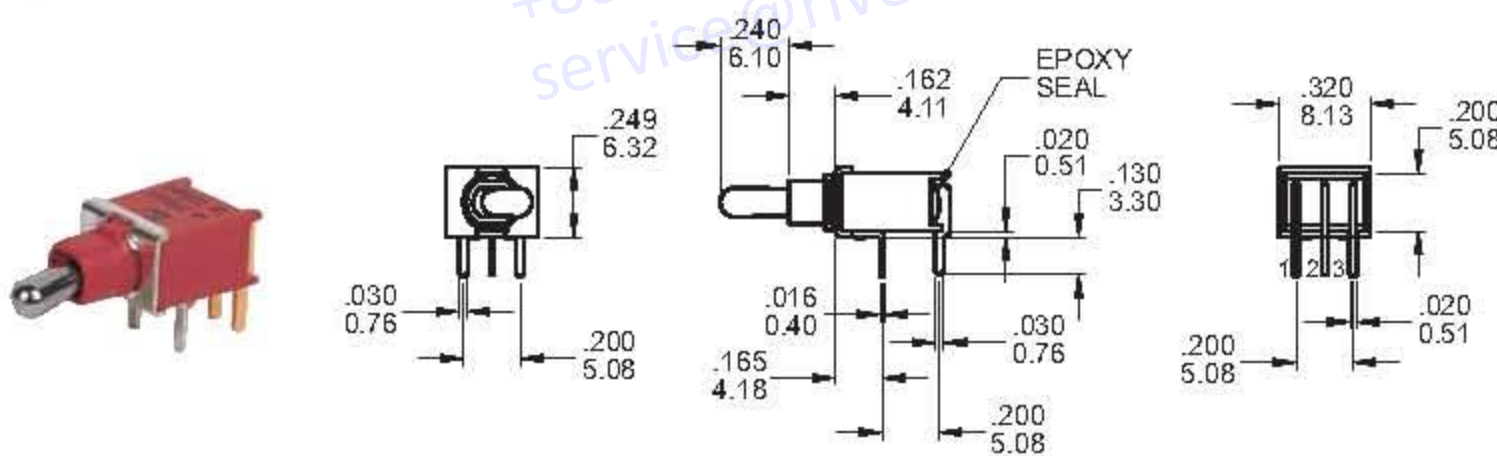
TERMINATION OPTIONS



OTHER TERMINATION OPTIONS

- M6** RIGHT ANGLE P.C. MOUNT
- M6N** RIGHT ANGLE P.C. MOUNT SNAP-IN BRACKET
- M7** RIGHT ANGLE P.C. MOUNT
- VS2** VERTICAL BRACKET P.C. MOUNT

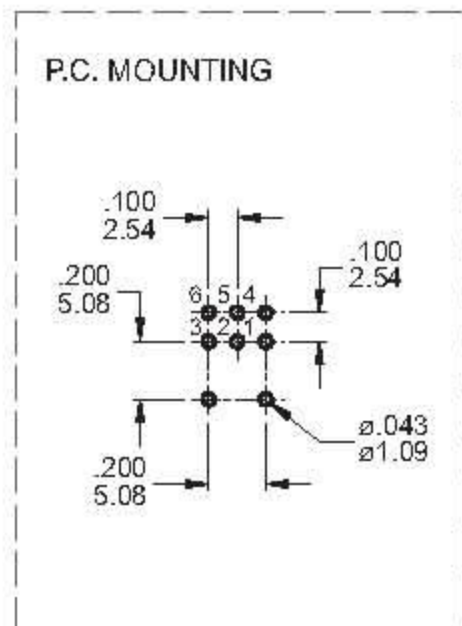
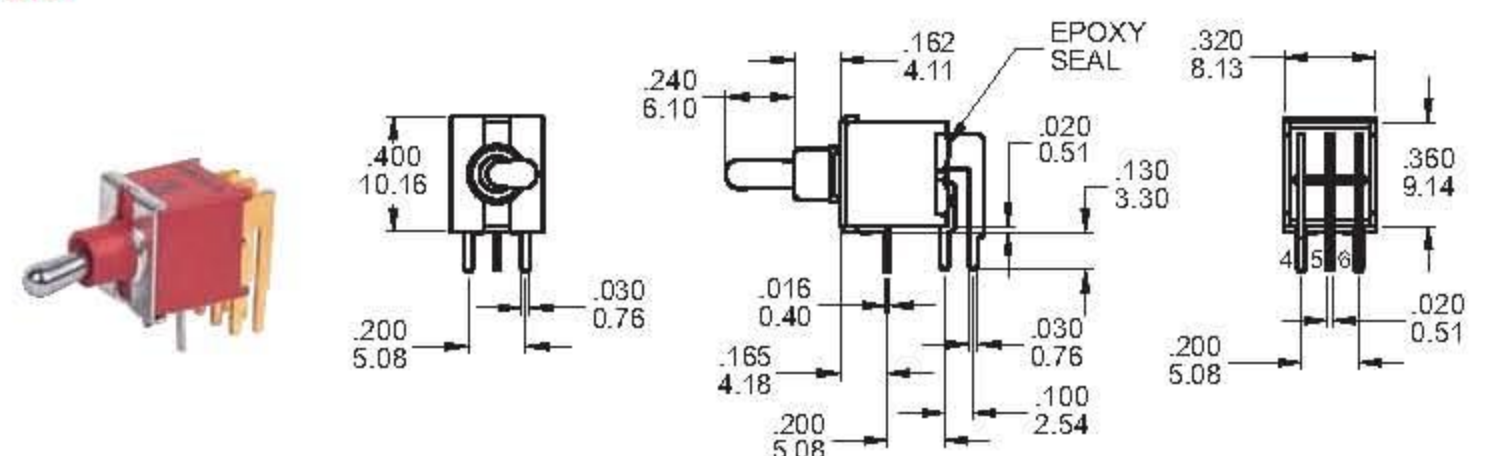
M6



SPDT

Part No. Shown : 2AS1T2A1M6QE

M6

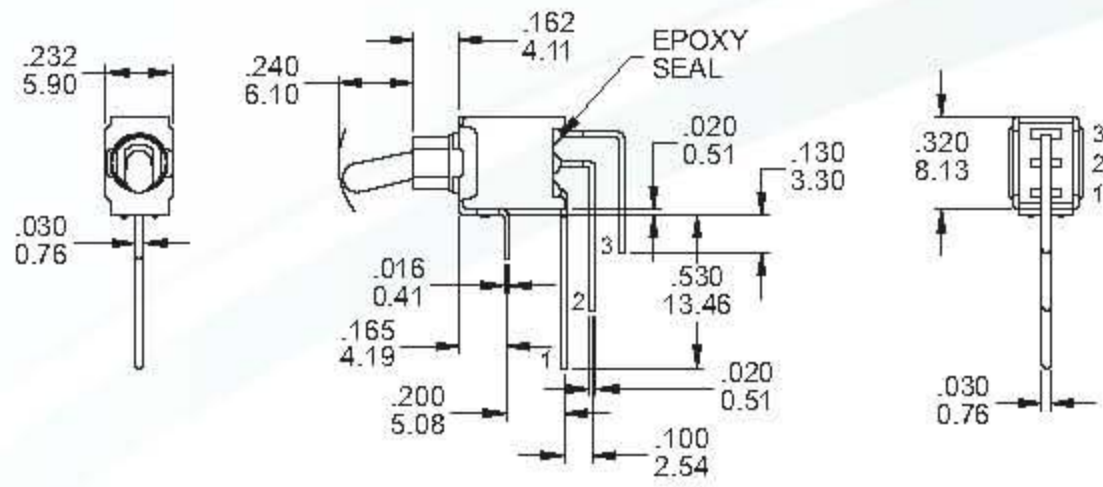


DPDT

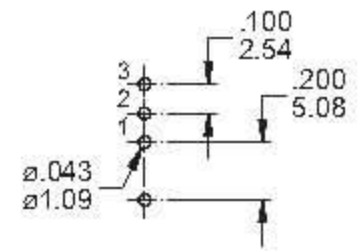
Part No. Shown : 2AD1T2A2M6RE



M7



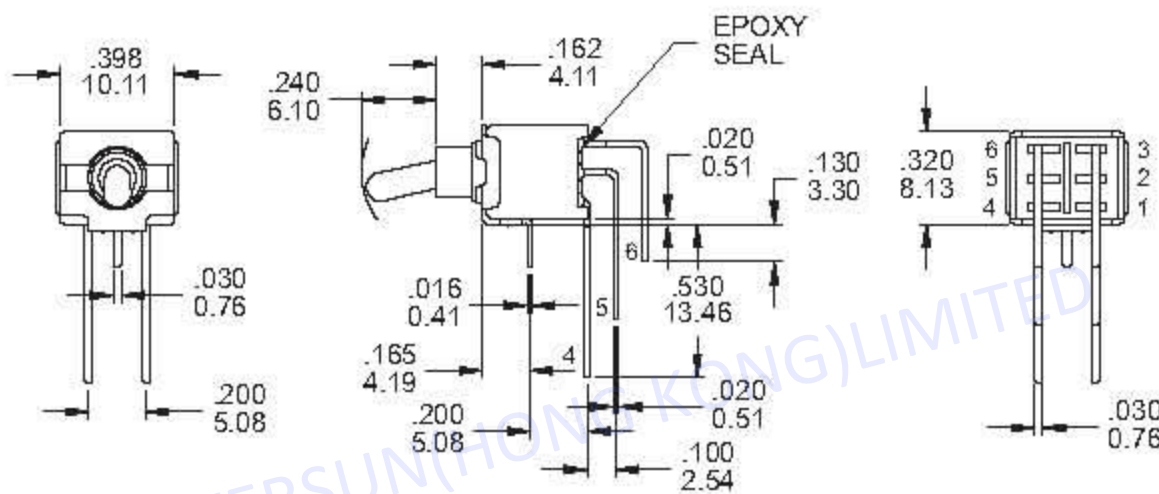
P.C. MOUNTING



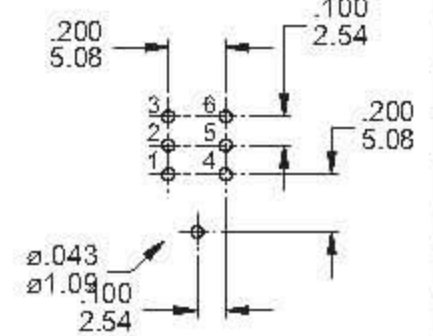
SPDT

Part No. Shown : 2AS1T2A1M7RE

M7



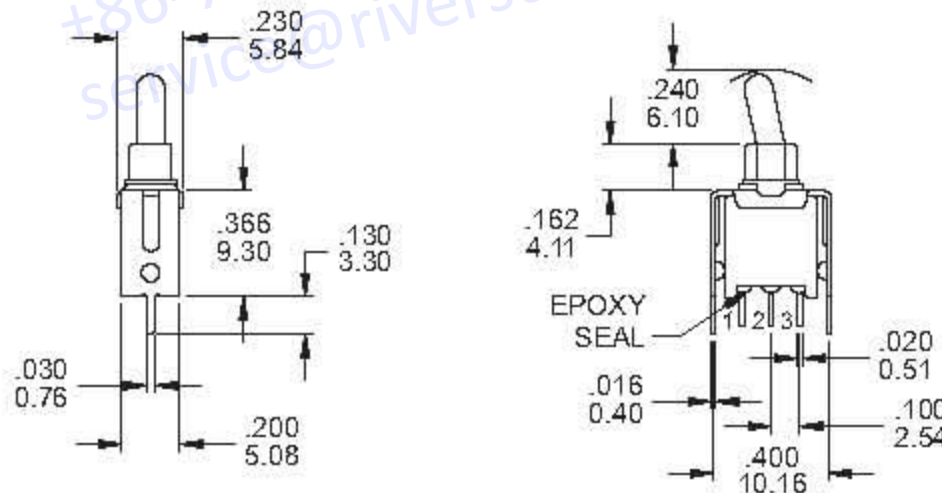
P.C. MOUNTING



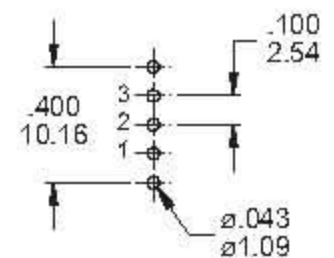
DPDT

Part No. Shown : 2AD1T2A2M7QE

VS2



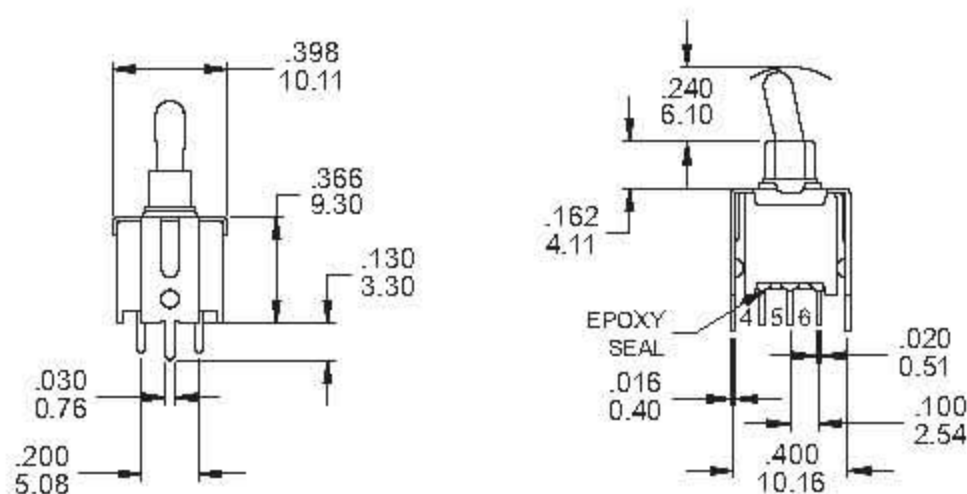
P.C. MOUNTING



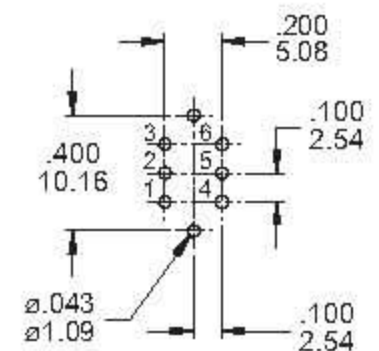
SPDT

Part No. Shown : 2AS1T2A1VS2RE

VS2



P.C. MOUNTING

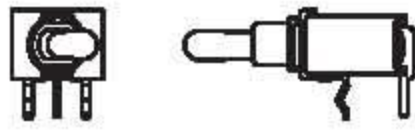


DPDT

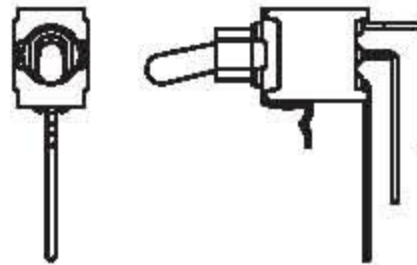
Part No. Shown : 2AD1T2A2VS2QE

SNAP-IN TERMINATION OPTIONS

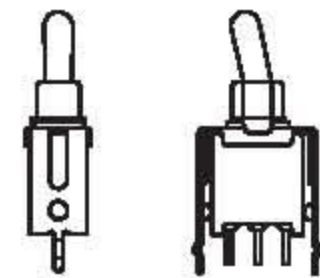
M6N



M7N



V2N



CONTACT MATERIAL OPTIONS

	CONTACT PLATING	TERMINAL PLATING	RATINGS
Q	Silver	Q = Gold flash over silver	3 Amps with resistant load @ 120VAC or 28VDC 1 Amps with resistant load @ 250VAC
S		S = Gold flash over silver,pure - tin	
C	Gold over Silver	C = Gold over silver	
K		K = Gold over silver,pure - tin	
R	Gold	R = Gold	0.4 Volt - Amps (VA) max. @ 20V max. (AC or DC)
G		G = Gold,pure - tin	

SOLDERING PROCESSES

MANUAL SOLDERING: Use soldering iron of 30 watts, controlled at 350°C approximately 5 seconds while applying solder.

WAVE SOLDERING: Recommended Soldering Temperature: 260 ± 5°C
Duration of Solder Immersion: Max 5 sec. (PCB is 1.6mm in thickness)



2A
Toggle Switches